

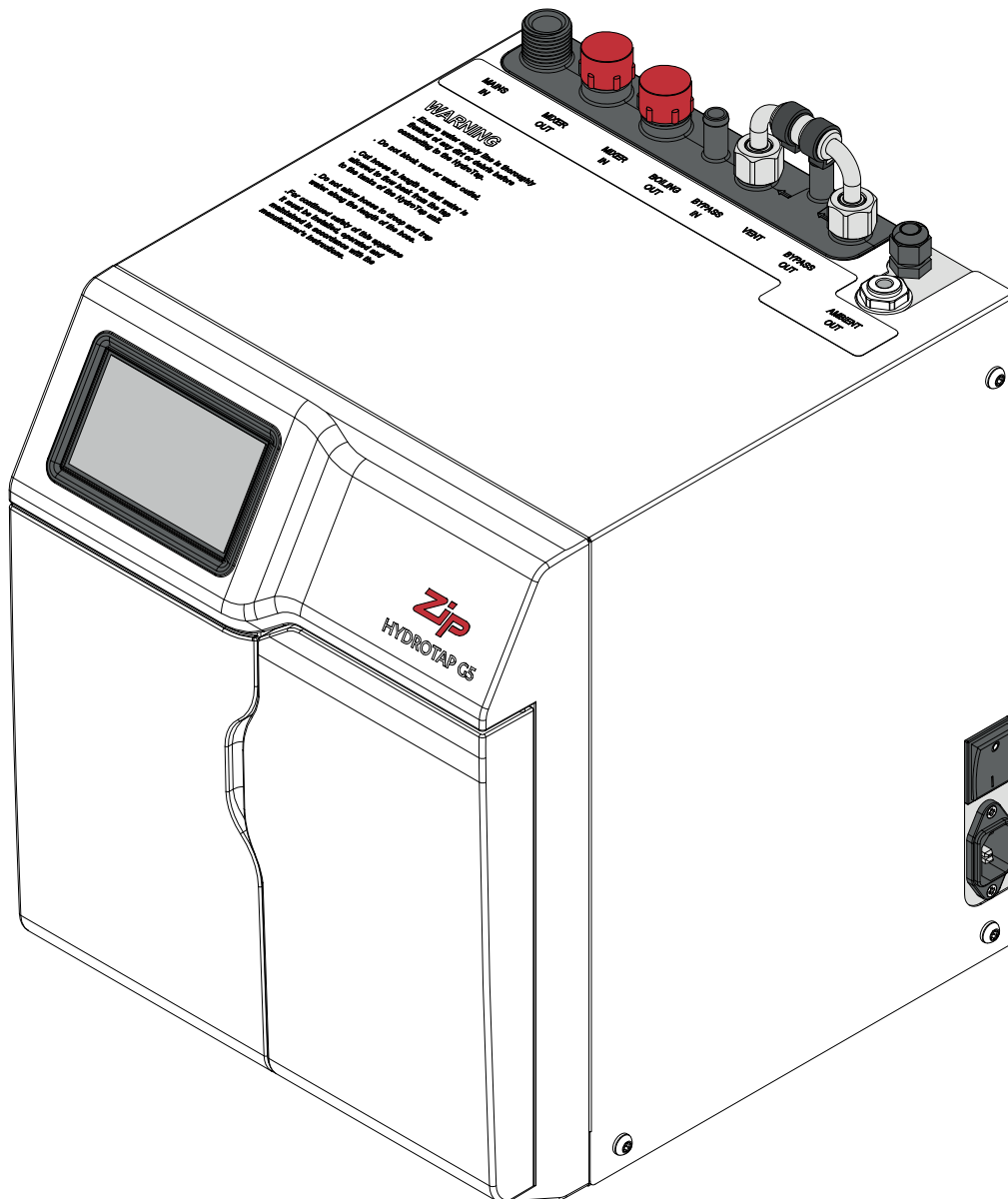
Installation instructions

# Zip HydroTap® G5



Model:

B HOME, B H HOME, BA HOME, B60, BA60, B100, BA100  
Command Centres









<b>Using these instructions</b> .....	<b>4</b>
Explanation of symbols .....	4
Safety instructions.....	4
<b>Section 1 IMPORTANT SAFETY INSTRUCTIONS</b> .....	<b>4</b>
<b>Warnings and regulatory information</b> .....	<b>6</b>
<b>Technical data</b> .....	<b>8</b>
<b>Supplied parts checklist</b> .....	<b>9</b>
<b>Installation checklist</b> .....	<b>10</b>
<b>Before installation</b> .....	<b>11</b>
<b>General product features</b> .....	<b>12</b>
<b>Section 2 Ventilation</b> .....	<b>13</b>
Generic requirements .....	13
Clearance envelope & airflow.....	13
Installing the ventilation components .....	14
<b>Section 3 Ancillary Installations - Install Rail installation (UK only)</b> .....	<b>15</b>
<b>Section 3 Ancillary Installations - Connect to the water supply</b> .....	<b>16</b>
Connect the braided hose to the mains water supply.....	16
UK connections.....	16
Australia connections.....	16
<b>Section 3 Ancillary Installations - External Limescale filter bypass valve</b> .....	<b>17</b>
<b>Section 3 Ancillary Installations - Limescale filter installation (UK only)</b> .....	<b>18</b>
<b>Section 3 Ancillary Installations - Booster system installation</b> .....	<b>19</b>
<b>Section 4 Command Centre installation</b> .....	<b>22</b>
Generic installation arrangement instructions .....	22
Tubes and pipes.....	22
John Guest pipe and fittings .....	23
Mains power cable .....	23
USB .....	23
B Home, B60 models, General layout.....	24
B H Home models with vented mixer tap, General layout.....	25
B Home, B60 models with Celsius tap, General layout.....	26
B Home, B60 HydroTap G5 models .....	27
B Home, B60 HydroTap G5 boiling with mains mixer tap models .....	28
B H Home HydroTap G5 boiling with vented mixer tap models .....	29
BA Home, BA60 models, General layout.....	30
BA Home, BA60 models with Celsius tap, General layout .....	31
BA Home, BA60 HydroTap G5 models .....	32
BA Home, BA60 HydroTap G5 boiling ambient with mains mixer tap models .....	33
B100 models, General layout.....	34
B100 HydroTap G5 models .....	35
B100 HydroTap G5 boiling with mains mixer tap models .....	36
BA100 models, General layout .....	37
BA100 HydroTap G5 models .....	38
BA100 HydroTap G5 boiling with mains mixer tap models .....	39
<b>Section 5 Commissioning</b> .....	<b>40</b>
Commissioning using the HydroTap Clean can .....	40
<b>Section 6 Service and Trouble shooting</b> .....	<b>49</b>

## INSTALLATION INSTRUCTIONS Table of contents

<b>Section 7 Operation and Maintenance</b> .....	<b>50</b>
Cleaning .....	50
<b>Section 8 End of life disposal</b> .....	<b>51</b>

## Using these instructions

### Explanation of symbols

					
Read the instructions	WARNING	DANGER Electric shock	DANGER Hot surface	Gas WARNING	Button/ coin battery

### Safety instructions



Read and use the instructions and safety information supplied with individual kit components for a safe installation.

## Section 1 IMPORTANT SAFETY INSTRUCTIONS



### Compliance

In Australia electrical installation must comply with AS/NZS3000.  
 In Australia plumbing installation must comply with AS/NZS3500.  
 In Australia For residential chilled models, all refrigeration must comply with AS/NZS 60335.2.24.  
 In the UK the system must be installed in accordance with water supply by-laws, current IEEE regulations and local authority by-laws.

### Safety

This appliance is not intended for use by children under 8 years or persons (including children under 8 years) with reduced physical, sensory or mental capabilities, or lack of experience and knowledge, unless they have been given supervision or instruction concerning the use of the appliance by a person responsible for their safety. Children should be supervised to ensure that they do not play with the appliance.

### Qualifications

To avoid hazards, all installation procedures must be carried out by a suitably qualified tradesperson. The power cable and power outlet must be in a safe visible position for connection.

### Venting

Sometimes steam and / or boiling water droplets may discharge through a vent outlet on the tap. If not using the font, ensure the tap body is located so the tap outlet safely dispenses into the sink bowl.

### Lifting

Take care when lifting. The Command Centre may exceed safe lifting limits. If you feel this is beyond your personal capabilities, please seek assistance with the lift. The weight of the Command Centre is marked on the packaging. Do not lift the Command Centre by the front cover or any of its connections.

### Airflow

The Zip HydroTap operates within the ambient temperature range 5°C - 35°C. Proper air circulation must

## IMPORTANT SAFETY INSTRUCTIONS

be provided. The system will operate satisfactorily only if the recommended air gaps are provided. The vent kit supplied must be fitted.

### Altitude

Water boils at varying temperatures at different altitudes. The HydroTap adjusts for this during startup calibration and will recalibrate itself on a regular basis.

### Frost protection

If the HydroTap is located where the ambient air temperature could fall below 5°C when the system is not in use, do not turn off the Command Centre electrically. This safeguard does not offer the same protection to the connecting pipework and fittings.

### Application

The HydroTap G5 Home series is intended to be used in household and similar applications such as:

- Staff kitchen areas in shops, offices and other working environments;
- Farm houses and by clients in hotels, motels and other residential type environments;
- Bed and breakfast type environments;
- Catering and similar non-retail applications.



### Compressed gas warning - HydroTap Clean can

- Read label before use.
- Keep out of reach of children.
- Use according to SDS (safety data sheet).
- Pressurised container. Contains gas under pressure, may explode if heated.
- Protect from sunlight.
- Do not expose to temperatures exceeding 50 °C.
- Do not expose to naked flame or any incandescent material.
- Do not pierce or burn, even after use.
- Avoid shock.
- SDS is available for download at [www.zipwater.com](http://www.zipwater.com) or [www.zipwater.co.uk](http://www.zipwater.co.uk)

### First aid

- For advice contact a Poison Control Information Centre
- Australia (+61) 131126
- Ireland (+353) 1809 2166
- UK (+44) 171 635 9191

## WARNINGS AND REGULATORY INFORMATION



- For continued safety of this appliance it must be installed, operated and maintained in accordance with the manufacturer's instructions.
- This appliance may deliver water at high temperature. Refer to the Plumbing Code of Australia (PCA), local requirements and installation instructions to determine if additional delivery temperature control is required.
- The Zip HydroTap must be earthed, earthing is provided via the supplied power cord. The resistance of the earth connection to each exposed metal part must be less than 1Ω. Use the power cable supplied. It is the responsibility of the installer to ensure the power point is earthed.
- All installation and service work must be completed by trained and suitably qualified tradespeople. Faulty operation due to unqualified persons working on this product, may void warranty coverage.
- As the installer, it is your responsibility to supply and install all valves as required by local regulations and relevant standards.
- The HydroTap is rated for 220-240V 50Hz AC operation.
- Do not remove the cover of the appliance under any circumstances without first isolating the appliance from the power supply.
- Connect only to a potable (wholesome, cat1) mains water supply.
- Never locate the system near, or clean with water jets.
- Do not expose the Zip HydroTap to the elements of nature.
- The booster complies with protection class IP 20.
- For UK, a pressure limiting valve must be fitted for mains water pressures above the maximum limits stated.
- Use of tools can be hazardous, assess the risks before you start.
- A clearance envelope around all Command Centres must be provided to allow adequate ventilation for the safe and effective use of the HydroTap system.
- Valve and fitting threads must be sealed appropriately with PTFE tape where compression seals are not provided.
- Always flush new filter before use.
- Do not connect booster to electrical supply until commissioning.
- Do not over tighten plumbing and hose connections.
- Braided hoses supplied cannot be lengthened.
- The power cord and general power outlet must be in a safe and accessible position after installation. When positioning the appliance, ensure the power supply cord is not trapped or damaged. If the power supply cord is damaged it must be replaced by a Zip service provider or a qualified electrician.
- Do not locate multiple portable socket-outlets or portable power supplies at the rear of the appliance.
- For safe operation, the HydroTap is designed to be installed, commissioned and used within 48 hours. Should the HydroTap not be required for an extended period of time (72 hours or more), do not fill and commission the HydroTap until ready for first use.
- For water taste and quality reasons, following any non-use period of more than 72 hours, Zip recommends to perform a system flush. Failure to flush the system may affect water quality.
- For UK, this appliance only contains materials that conform to the requirements of BS6920:2014 'Suitability of non metallic materials and products for use in contact with

## WARNINGS AND REGULATORY INFORMATION



water intended for human consumption with regard to their effect on the quality of water'.



- Use the new hose set supplied with the unit. Do not re-use old hose set.
- The button/coin battery is hazardous and is to be kept away from children. It can cause severe or fatal injuries in 2 hours or less if it is swallowed or placed inside any part of the body. Medical attention should be sought immediately if it is suspected the battery has been swallowed or placed inside any part of the body.



## Technical data

### Technical data table

Model	Power rating kW 220-240V 50Hz	Power rating kW 220V 60Hz	Dimensions	Weight (kg)
			W x D x H (mm) Command Centre only	
B100, BA100	1.8 + Booster	1.65 + Booster	280 x 313 x 333	13
B60, BA60	1.8	1.65	280 x 313 x 333	13
B Home, BA Home B H Home	1.35	1.24	280 x 313 x 333	13

### Electricity supply requirements

220-240V 50Hz AC (for power requirement see table above).

220 60Hz AC.

Country	Without Booster	With Booster
Australia	1x 220 - 240V AC 10A socket	2x 220 - 240V AC 10A sockets
UK	1x 220 - 240V AC 13A socket	2x 220 - 240V AC 13A sockets

### Water supply pressure requirements

Component	Min - Max pressure, kPa (bar)	
	Australia	UK
	HydroTap	170 (1.7) - 700 (7.0)
Booster	200 (2.0) - 700 (7.0)	200 (2.0) - 500 (5.0)
Lime scale filter	200 (2.0) - 700 (7.0)	200 (2.0) - 500 (5.0)



**UK models: A pressure limiting valve must be fitted for mains water pressures above the maximum limits stated above, in accordance with local plumbing regulations.**

**All other models (except UK): HydroTaps have an internal pressure limiting device to reduce the maximum mains regulated pressure, protecting the system against pressure surges above 500 kPa.**

### Water supply connection

1/2" BSP (G1/2)

### Booster specification

Specification	Rating
Power at 230V 50/60Hz	2.20 kW
Power at 240V 50/60Hz	2.40 kW
Flow rate	1.2 L/m

## Supplied parts checklist

### B & BA models

Parts supplied in the kit	HydroTap			
	B100 BA100	B60 BA60	B Home BA Home	B H Home
<b>Tap</b>				
HydroTap tap, pipes, tubes hoses and fittings		✓		
Vented Mixer Tap, hoses, fittings & instructions		✗		Optional
Mains Mixer Tap, hoses, fittings & instructions				Optional
<b>Command Centre</b>				
Command Centre		✓		
Mains electrical supply cable		✓		
Water supply inlet hose		✓		
Water supply inlet adaptor and strainer		✓		
Ventilation kit		✗		
Install rail kit			(UK only)	
<b>Booster</b>				
Booster & hoses	✓		✗	
<b>Filters</b>				
Water filter & instructions		✓		
Lime scale filter kit				Optional
<b>Font</b>				
Font kit				Optional

**Note** Mains water isolation valve is not supplied with the kit.

Contact Zip for the full range of consumables and accessories.

## Installation checklist



- Check if there is adequate space to install all of the components.
- Note Not all fittings are supplied with the appliance kit. Isolation valves are not supplied.
- Check the mains water pressure is within min / max requirements. (Click 'Tech data' tab for min. / max. water supply pressure).
- Check the water quality to determine if extra filtration will be required.
- Note This product must be fitted to a wholesome water supply.
- Check the Command Centre rating plate and ensure correct power is available.
- Check the under counter cupboard floor supporting the Command Centre is adequate for its total weight, when full of water.



### Before commissioning

- Check the system has been installed correctly.
- Check all plumbing fittings for water tightness.
- Ensure the outlet and vent pipes are positioned to drain correctly.
- Ensure there is adequate ventilation.
- Check all tubes and pipes from the Command Centre to the tap have a constant rise and there are no sags or kinks in the hoses.

### Commissioning

- Flush the supply line before connecting.
- Turn on the water and check for leaks.
- Flush the filter(s).
- Calibrate the safety sensor for boiling models (optional).
- Where applicable, programme the Command Centre to suit the customer's requirements.

## Before installation



- Review of all the technical specifications.
- Ensure the under counter cupboard floor can support the product weight when full of water (allow an extra 3-8kg when full).
- Sufficient space in the cupboard to install the Command Centre and other components in accordance with these installation instructions. (Click 'Tech data' tab for dimensions). Make allowance for a booster if required.
- **Note** Check all cable and hose lengths against inlet /outlet positions before proceeding (see Section 4 for general layout).
- A Potable (wholesome) water supply connection with a minimum working pressure of: (click 'Tech data' tab for min. / max. water supply pressure) with isolating valve inside the cupboard within reach of the braided hoses and positioned so that the connection point and the stop cock will not be obstructed when the Command Centre is installed.
- For the All-In-One Classic, Celsius and Mains mixer taps a hot and cold water supply are required. (click 'Tech data' tab for min /max. water supply pressure).
- If external filtration or a lime scale protection filter is required, then it is important to allow extra space for it.
- The appliance must be placed with its base in a horizontal position.

**IMPORTANT!** Do not proceed with the installation if these requirements are not met.

## General product features

Thank you for purchasing a Zip HydroTap G5. Please read and follow these instructions carefully to ensure safe and trouble free operation. If help and advice is required, contact your local service provider.

### What is the Zip HydroTap G5 ?

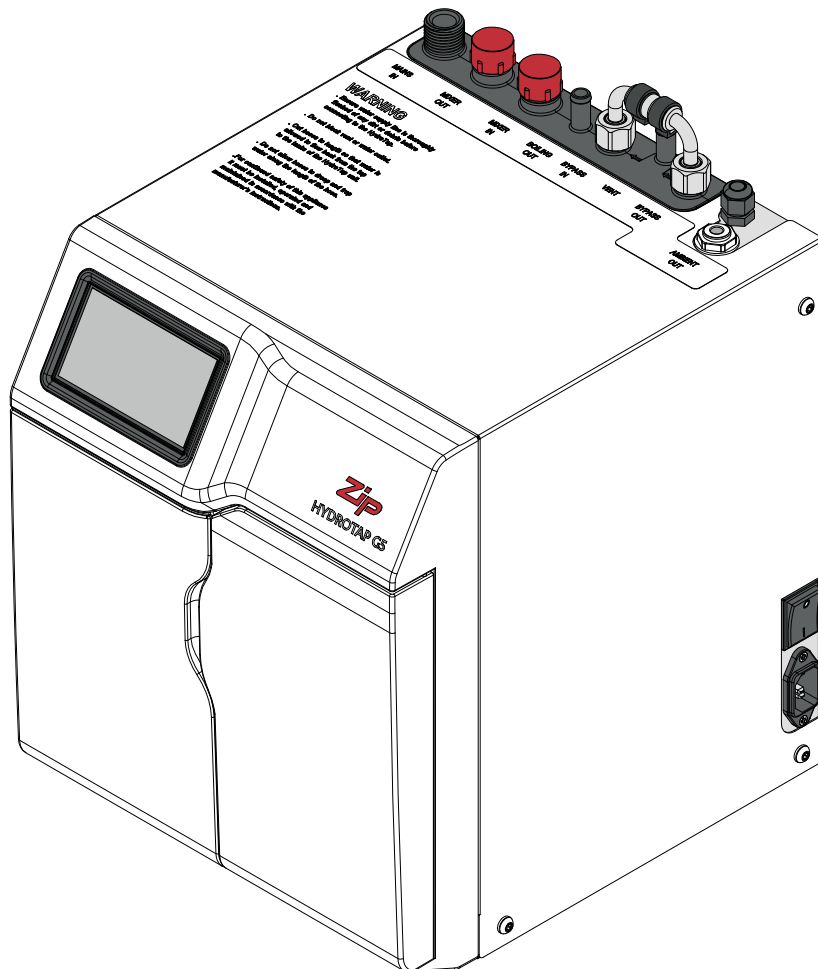
This Zip HydroTap G5 is an electronically controlled, filtered, boiling, chilled and sparkling (functionality is dependant upon model purchased) drinking water system for the kitchen. The HydroTap G5 systems are under counter drinking water appliances with a dispensing tap mounted on a sink or worktop, which have been designed for commercial or residential applications. The HydroTap G5 utilises a conventional refrigerant compressor to chill the water and an immersion heating element to boil the water.

These units are NOT designed to be used solely as sanitary fixtures.

The Zip HydroTap G5 models which dispense boiling water are fitted with a tap mounted safety lock. In addition, there are various energy saving options accessible via the main menu. The system is equipped with a self-calibrating program which caters for altitude adjustment. The water filter and CO<sub>2</sub> gas cylinder (sparkling models) are disposable items which will require periodic replacement and are covered by a limited OEM warranty.

It is important that the installation be undertaken safely, correctly and completely in order to utilise all the benefits that the HydroTap G5 can provide. Classic taps can be ordered with the accessible tap head assembly, supplied with Braille caps.

### Command Centre



### Generic requirements

- The system must be provided with adequate ventilation and air circulation in order to operate efficiently.
- It is important to ensure that cool air is provided within the cabinet where the HydroTap is installed to support removal of heat.
- Ventilation of hot air out of the cabinet is necessary to ensure the ambient temperature in the cabinet remains below 35°C. Fit the 4mm door buffers supplied.
- Continued operation at a higher temperature will affect the function and reduce the lifespan of internal components and increase the likelihood of failure.
- Should the temperature within the cabinet rise above 35°C, additional ventilation is required. Contact your local service provider for options (including additional vents and fan kit).

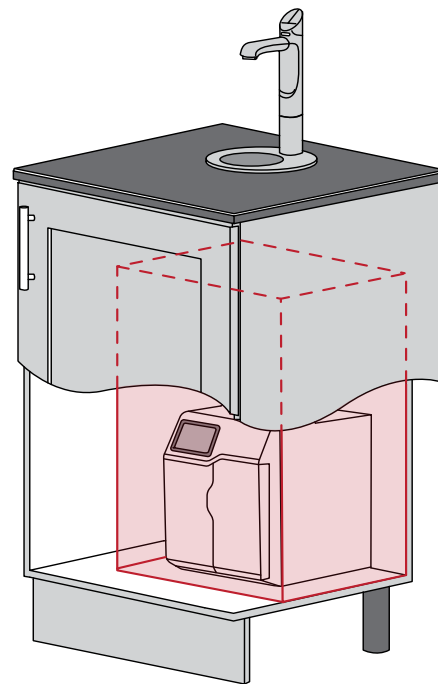
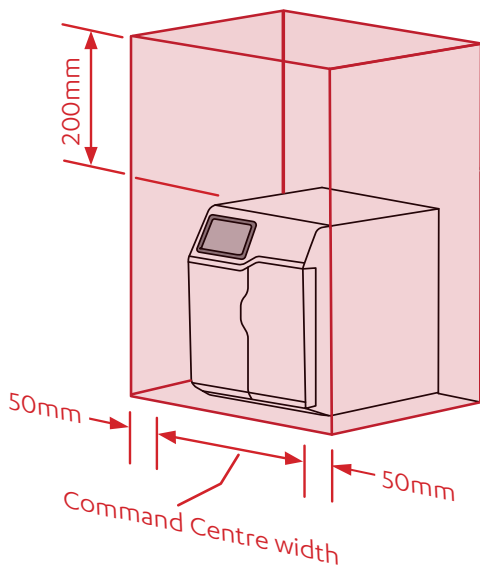


A clearance envelope above and adjacent to the cold air inlet of the Command Centres must be provided to allow ventilation for the safe and effective use of the HydroTap system, see arrangement below.



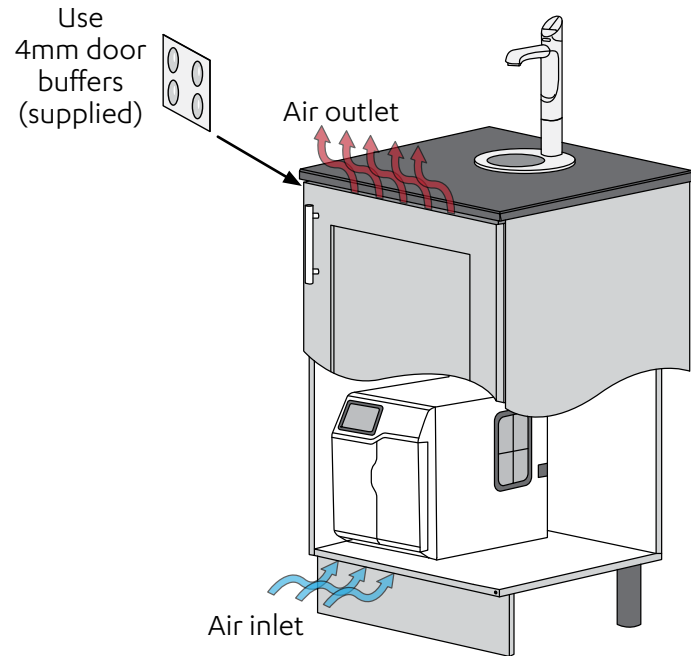
Read and use the instructions and safety information supplied with individual kit components for a safe installation.

### Clearance envelope & airflow



## Installing the ventilation components

- Cold air is drawn in through the gaps provided by the **door buffers**.
- Warm air is exhausted through the integrated vent in the base of the Command Centre, via the cupboard floor cut-out.
- Fit the 4mm door buffers supplied.



If cupboard temperature exceeds 35°C, additional ventilation is required. Contact Zip for options (including additional vents and fan kit).

### Description

- The install rails can be used to safely connect a wide range of water appliances to the mains water supply. The install rails include an isolation valve, double check valves, tamper proof pressure reducing valve pre-set to 0.3 MPa and a flood preventer with reset.

### Specification

Technical data	95565	95201
Dimensions, length x dia.	350mm x 75mm	295mm x 75mm
Pressure rating	1.6 MPa, (16 bar), pre-set to 0.3 MPa, (3 bar) outlet	
Operating temperature range	1 - 32°C	
Connections	In 15mm, Out 1/2" BSP	In 15mm, Out 3/4" BSP
Maximum flow rate	30 l/min	
Minimum flow for flood preventer trip	2 l/min	
Water cut off range	5.0- 50.0l , preset to 10l	

### Installation

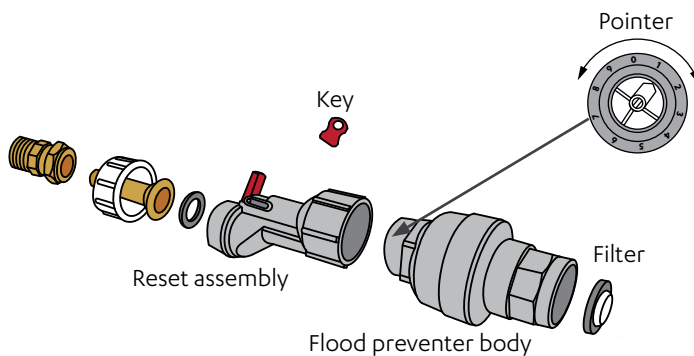


**The install rail must be installed vertically with the direction of flow downwards (inlet at the top, outlet at the bottom).**

- The install rail must be installed vertically, pointing downward.
- Connect the 15mm inlet connection (see diagram on next page) of the install rail to a wholesome (cat 1) cold mains water supply & then connect the outlet to the appliance : 95565 - 1/2" fittings.

### Flood preventer trigger adjustment

- The flood preventer trigger flow rate is adjustable, and pre-set to 10l/min.

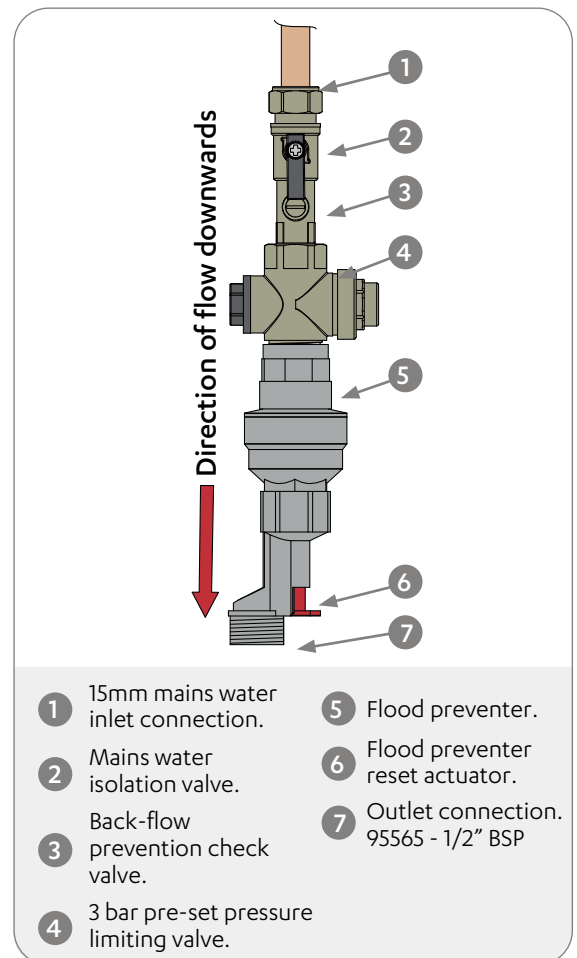


- To adjust the maximum flow rate of the flood preventer trigger :
- Turn off the mains water isolation valve.
- Unscrew flood preventer from isolation valve.
- Unscrew the reset assembly from the flood preventer body.
- Turn the pointer with the key supplied to the maximum acceptable flow rate.
- Scale :1 =5 l/min, 2 =10 l/min, 3=15 l/min etc.
- Upon re-assembly, ensure that the filter is clean and inserted correctly with the convex surface facing towards the water supply (see above).

### Reset procedure

- The trigger will activate and shut off the supply if the flow rate exceeds the set point, to reset :
- Close the isolation valve on the install rail & identify and repair the leak.
- Press the reset actuator upwards, then open the isolation valve.

### Install Rail features



## Section 3 Ancillary Installations - Connect to the water supply

### Connect the braided hose to the mains water supply



Valves and fittings must be sealed with PTFE tape if compression seals are not included.



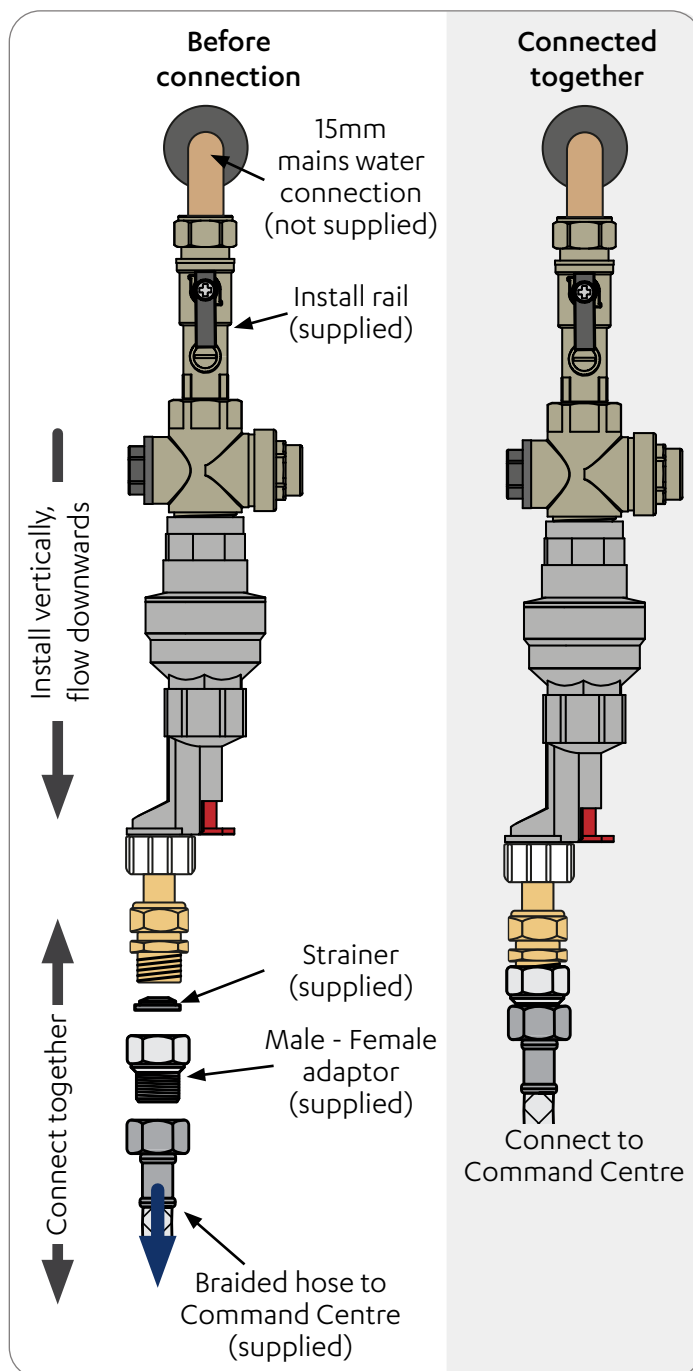
Note correct strainer orientation.

**Note** Mixer tap installations also use a 'Tee piece' as part of the water supply plumbing connections, see the Tap installation instructions supplied with the Mixer Tap to connect the water supply if using the mixer tap option.

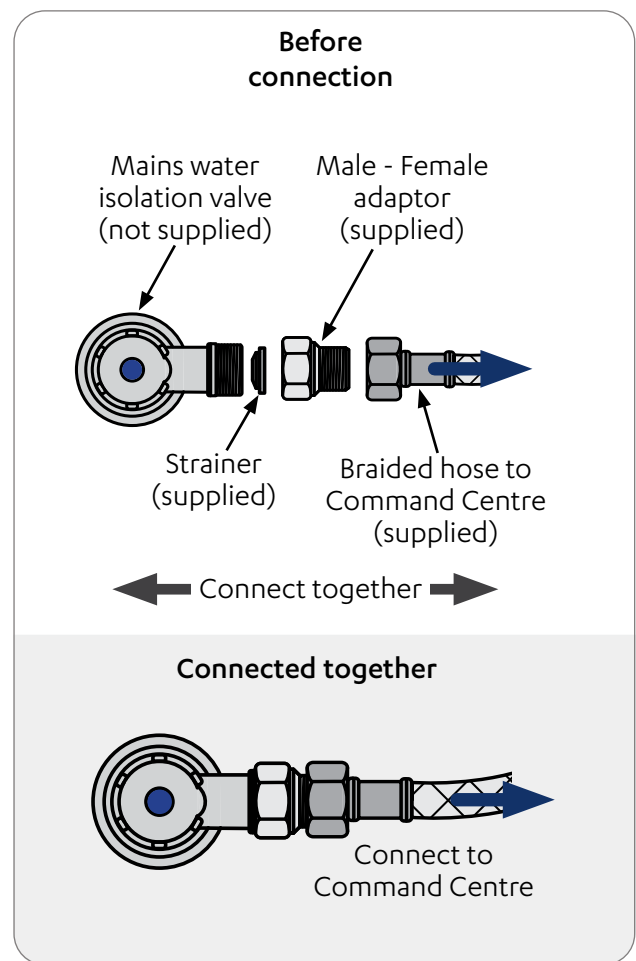
### UK connections



Use instructions supplied with Install rail



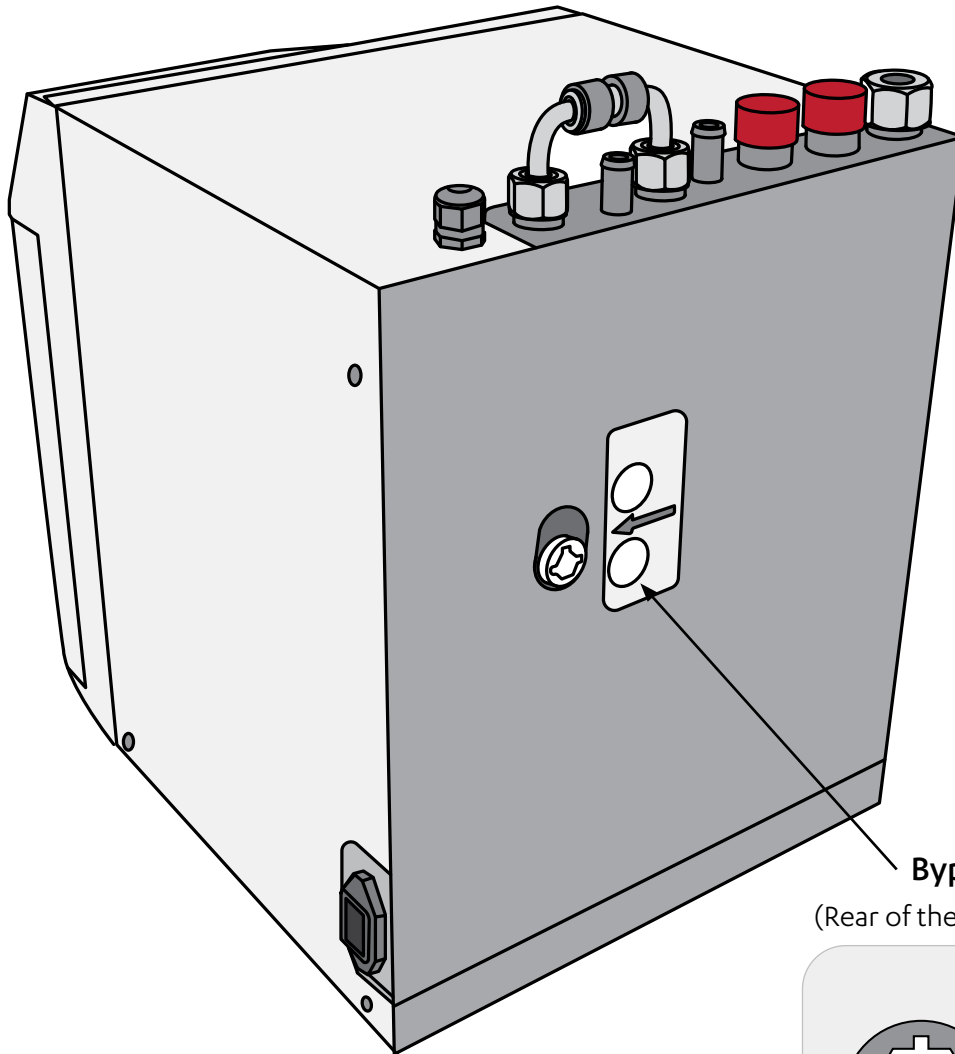
### Australia connections



### External bypass valve

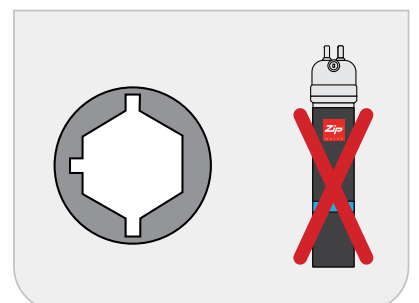
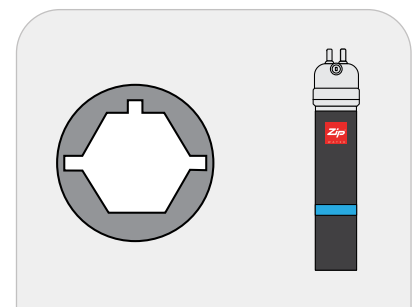
The following products have an external bypass valve.

The external bypass valve allows the user to choose to have the boiling feed water bypass the internal filter and only be filtered by the external filtration. This valve is located at the rear panel of the Command Centre.



**Bypass valve**

(Rear of the Command Centre)



## Section 3 Ancillary Installations - Limescale filter installation (UK only)

### Limescale filter

**Note** UK only option.

An external lime scale filter may be fitted as an optional accessory to reduce the incidence of lime scale build up in the hot tank or may be supplied at the customer's request.



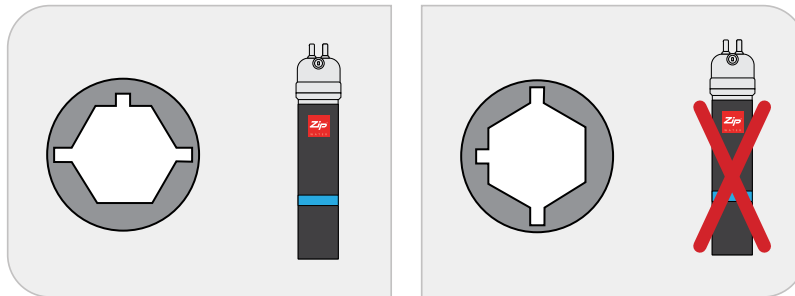
For Limescale filter installation instructions, scan the QR code on the Limescale filter carton.



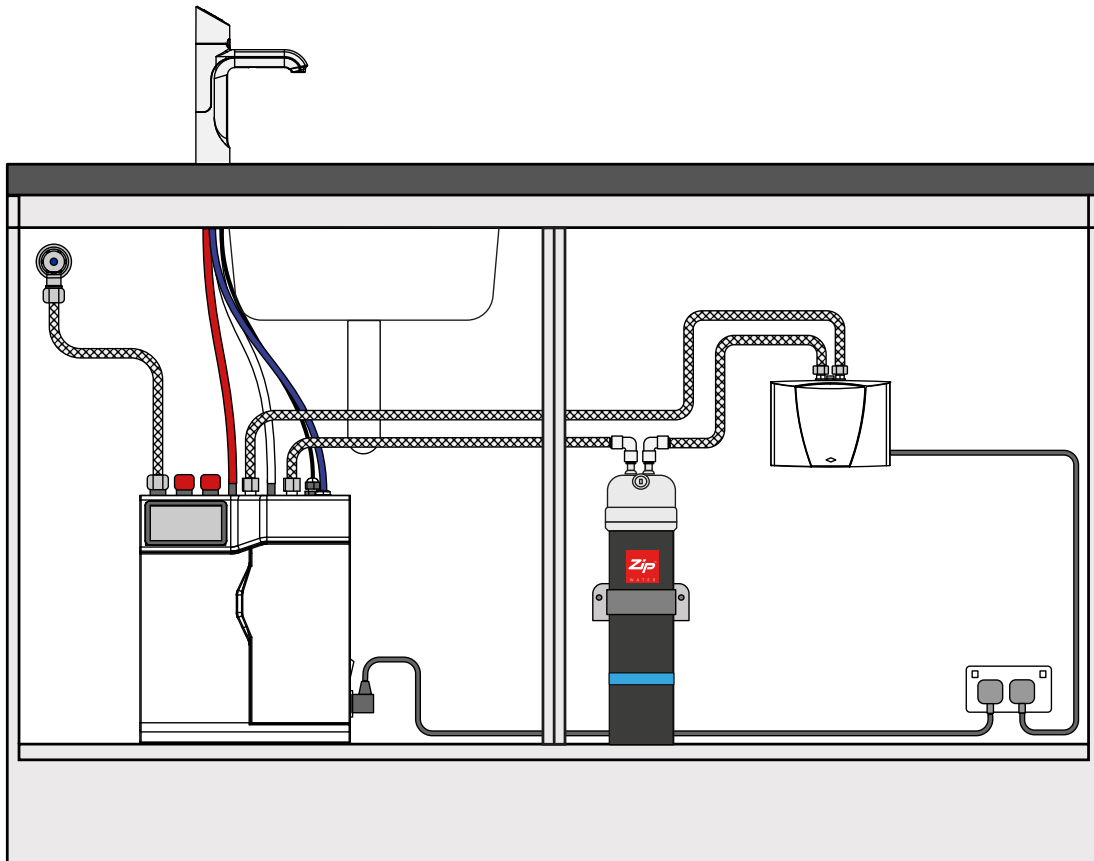
Place the filter in position vertically on a stable surface sufficiently robust to support its weight. Ensure that the fibre washers supplied are fitted in the threaded hose ends. Flush the filter before use.

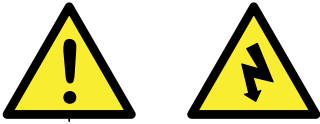
### Set the HydroTap Command Centre external bypass valve

(Rear of the Command Centre)



- If space is available, fit the limescale filter in the Command Centre cupboard.
- If space is limited, cut a hole through & fit the filter in an adjacent cupboard (see below).

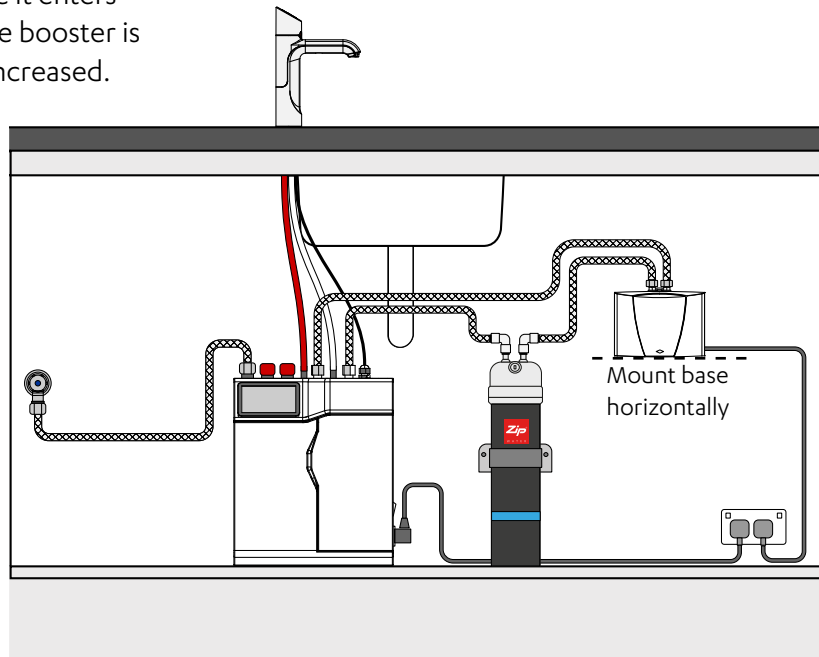
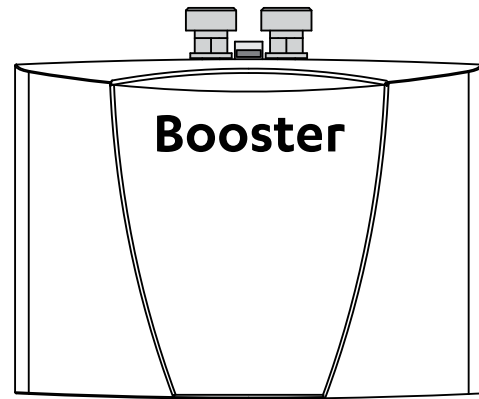




An external booster heater is supplied, or may be purchased as an upgrade to increase Boiling capacity, with selected commercial boiling models.

### Booster description

The booster system is a compact electronically controlled auxiliary water heater. It is intended to provide pre-heating of water before it enters the Zip HydroTap G5 boiling tank. If the booster is used the boiling water output will be increased.



#### Note 1 Water connection

blue cap - water in.

red cap - water out.

The braided hoses cannot be lengthened.

**Note 2** The electrical cable length is 0.6m.

**Note 3** Position the booster within reach of the fixed hose lengths, keeping the booster as close as possible to the Command Centre inlet / outlet connections.

**Note 4** Ensure the booster is mounted in an upright position (as shown) with a horizontal base.

**Note 5** Before you install a booster, determine whether an external water filter / softener is required. If an external water filter / softener is required, the external bypass valve must be set correctly.

### Booster specifications

	Rating	Unit
Nominal power rating	2.2	kW
Nominal current	10	A
Electricity supply 50Hz AC	230	V
Electrical flex, white - 0.6m nom. length	13	A
Fixed flow rate	1.2	L/min

### Booster connections

- Cold water into Booster, connect to Command Centre BYPASS OUT.
- Hot water out of Booster, connect to Command Centre BYPASS IN.

### Installation procedure

#### Site requirements

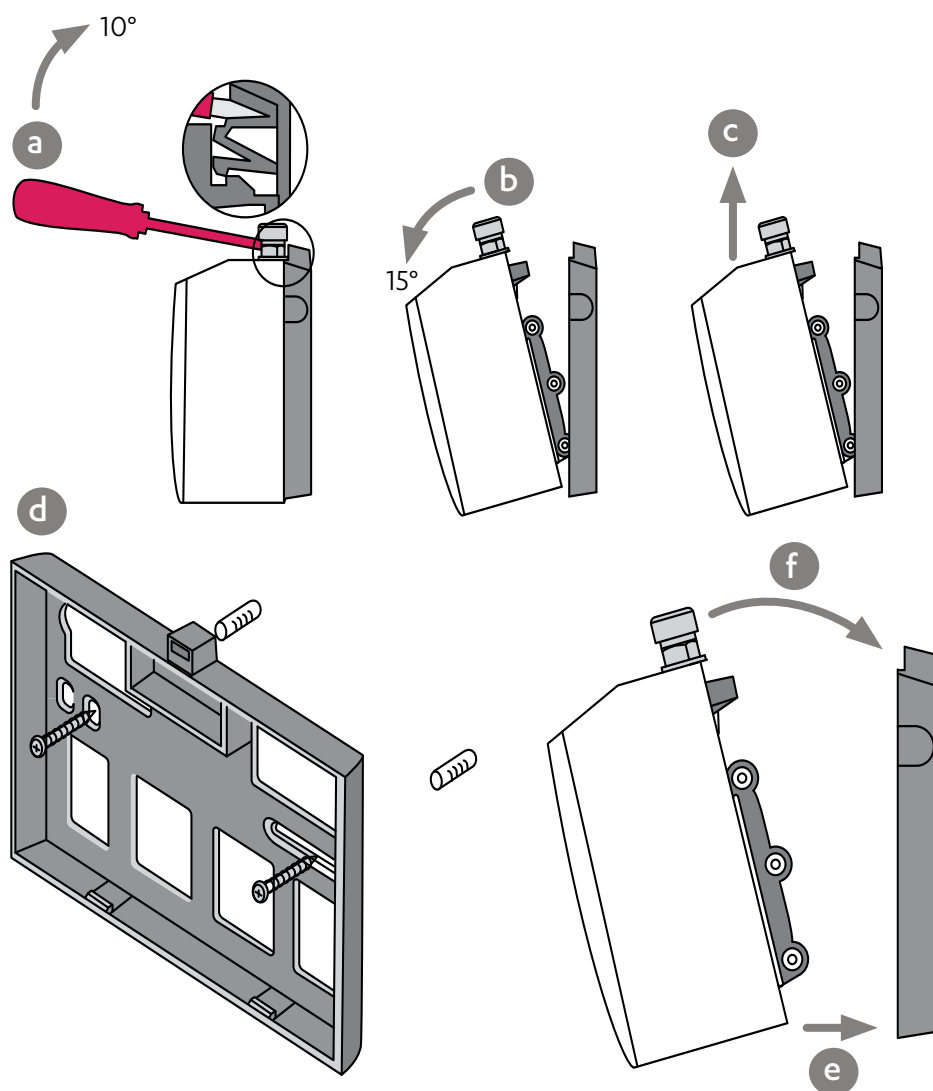
- Booster must only be installed in a frost-free area. Never expose booster to frost.
- The booster is designed for wall mounted installation and must be installed with water connectors facing upwards.
- The booster is protected against water ingress to class IP 20.
- The braided hoses supplied with the booster cannot be lengthened.
- The 90° elbow hose ends should be fitted to the inlet and outlet connections on top of the booster.
- The hot water outlet hose must be thermally insulated with the insulation provided.

#### Booster installation see diagrams below

- To remove the mounting chassis, insert a flat blade screwdriver all the way into the lock.
- Gently angle the screwdriver upwards by approximately 10°.
- Pull the booster forwards by approximately 15°. Carefully pull the booster upwards to complete the removal process. Take care not to break the lower clips.
- Attach the mounting chassis horizontally to the wall / cupboard wall.
- To install, clip the booster into the on the mounting chassis and snap into position (see installation below).

**Note** Remove the wall mounting chassis from the rear of the booster for wall mounting.

**Note** Take care not to break the lower clips when removing or installing the booster.



## Section 3 Ancillary Installations - Booster system installation

**Note 1** This appliance is intended for use with the Zip HydroTap G5 Command Centre.

**Note 2** Water connections must be pointing vertically upwards.

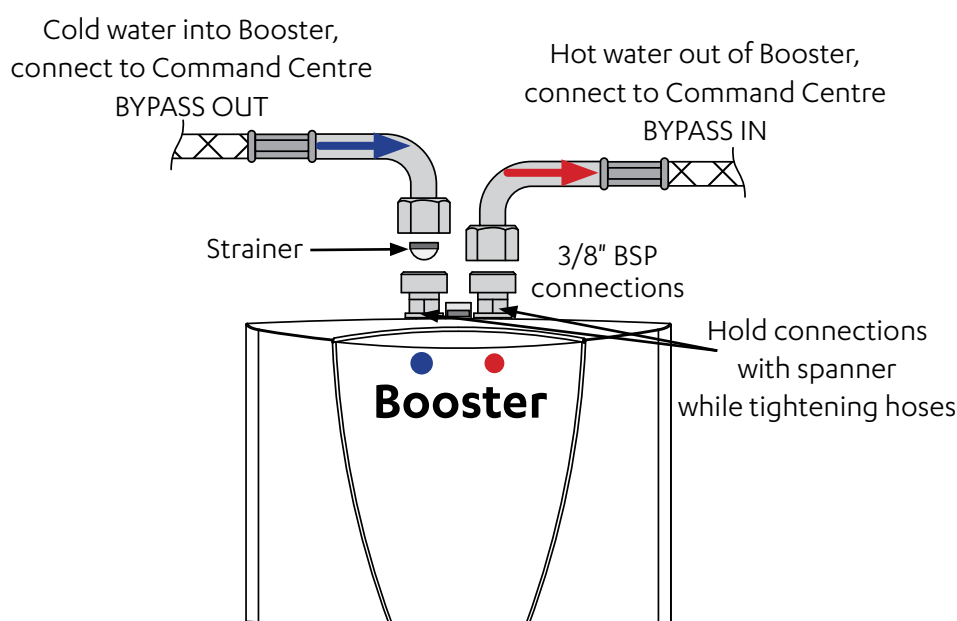
**Note 3** The booster unit should be installed as close as possible to the Zip HydroTap G5 as the connection hoses cannot be lengthened.

### Braided hose connections

- The cold water inlet (blue cap) and hot water outlet (red cap) are marked on the rating plate. Connect the braided hoses from the 'BYPASS OUT' fitting on the Command Centre to the water inlet of the booster (blue cap) and from the outlet of the booster (red cap) to the 'BYPASS IN' fitting on the Command Centre. Avoid exerting mechanical force on the booster. This can be achieved by using a spanner on the flats of the inlet and outlet connections when tightening the braided hose connectors.
- Do not over-tighten ! Tighten the braided hoses by hand, then turn a further 90° to 180° with a spanner.
- Once the water connections have been made, check for any leaks and rectify as necessary.



- Do not over tighten hose connections.
- Braided hoses supplied cannot be lengthened.



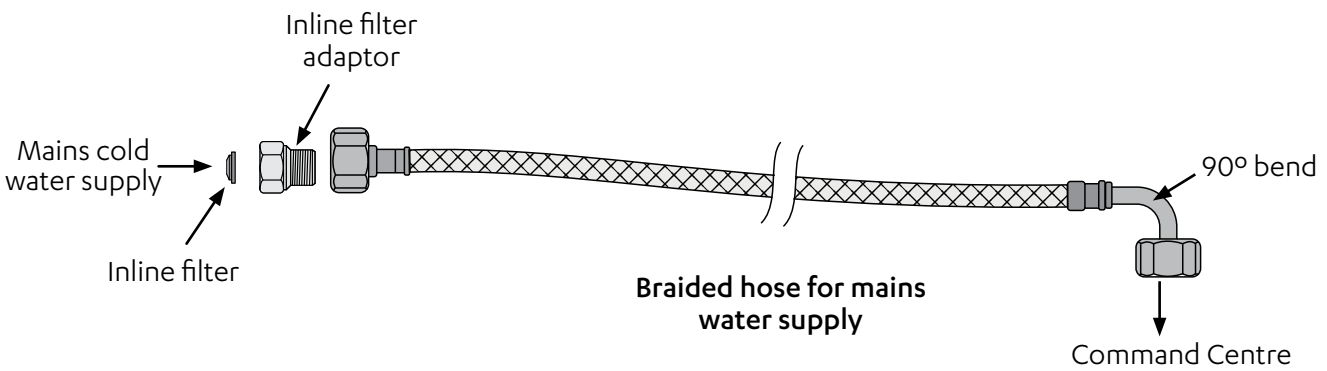
## Section 4 Command Centre installation

### Generic installation arrangement instructions



Read these instructions together with those supplied with individual components before commencing Command Centre installation, they apply to all installation arrangements.

- Install the mains water braided hoses to the Command Centre before locating in place. See below.
- Ambient mains water braided hose length is 750mm.
- Electrical power cable is 1.8m long.
- The Command Centre must be installed within the limits of the hose and cable lengths supplied.
- All silicon tubes / plastic pipes must be cut to size. They must have a constant fall back to the Command Centre.
- Isolation valves are not supplied.

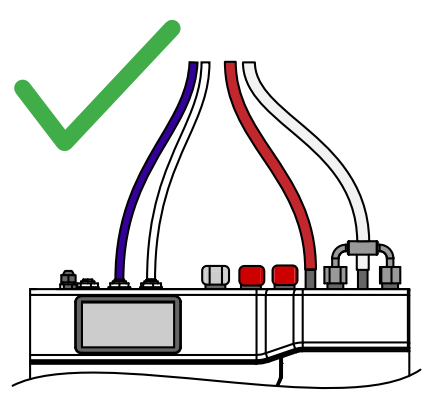
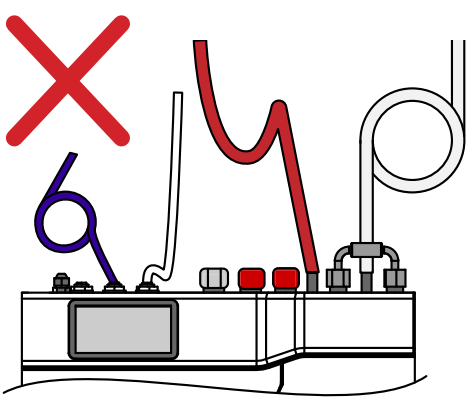


### Tubes and pipes

- Take care to install correctly. No kinks, sags, pinches or loops.

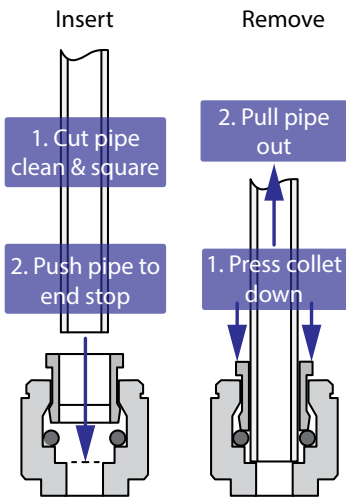
#### Tips for connection

- Push the silicone hose over the connector for a minimum of 15mm.
- Ensure there a constant fall from the tap down to the Command Centre.
- Tubes and pipes must be trimmed to avoid loops and kinks. Take care when positioning before cutting and make a clean cut straight across the hose, using a sharp blade.
- The tubes and pipes must not be under tension when installed.

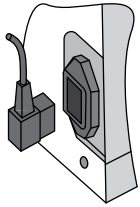


### John Guest pipe and fittings

Take care to use correctly, see below :



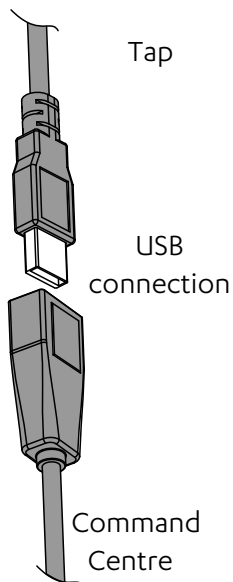
### Mains power cable



Do not connect to the mains socket until commissioning

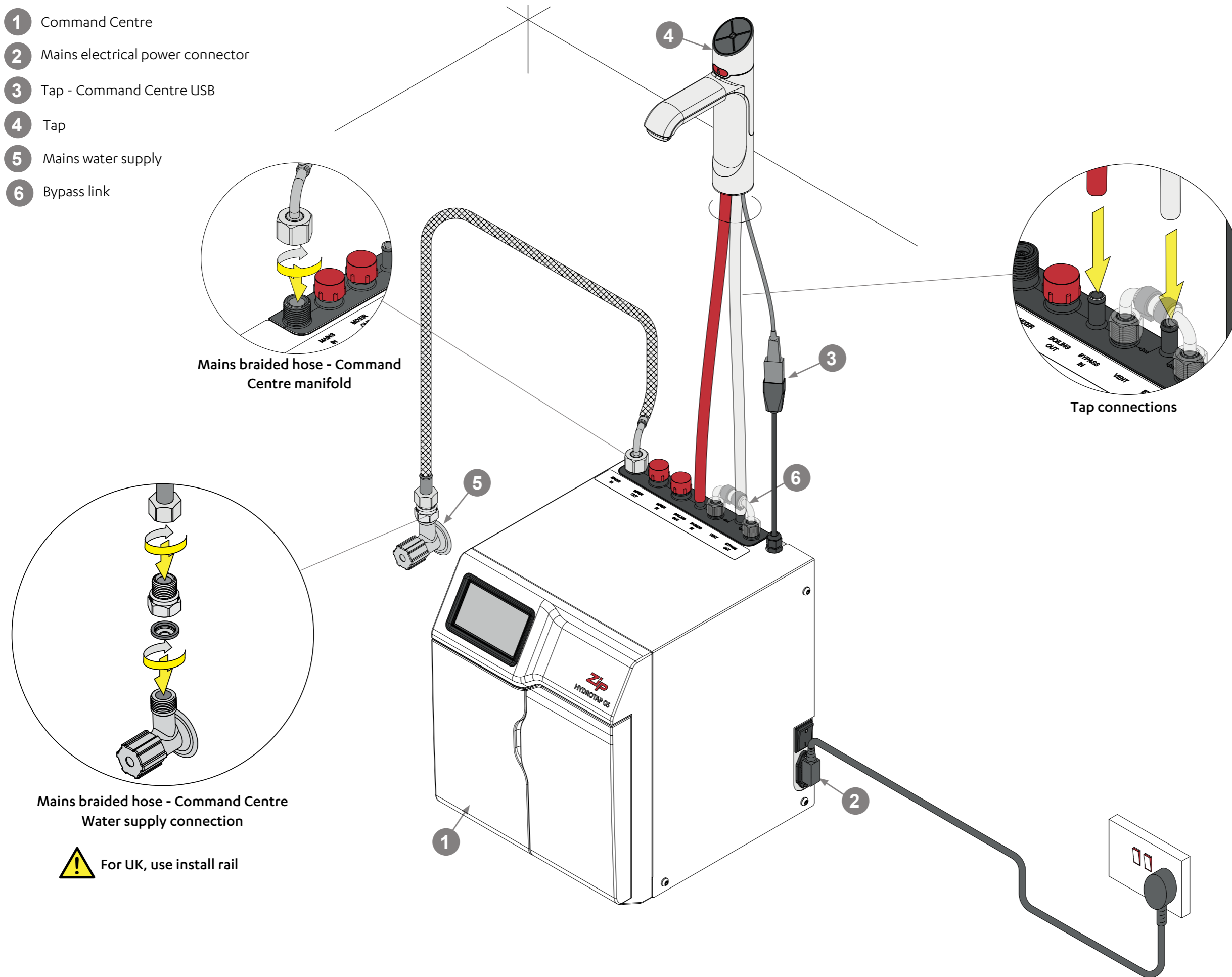
### USB

Connect Command Centre to HydroTap.



B Home, B60 models, General layout

- 1 Command Centre
- 2 Mains electrical power connector
- 3 Tap - Command Centre USB
- 4 Tap
- 5 Mains water supply
- 6 Bypass link



Mains braided hose - Command Centre manifold

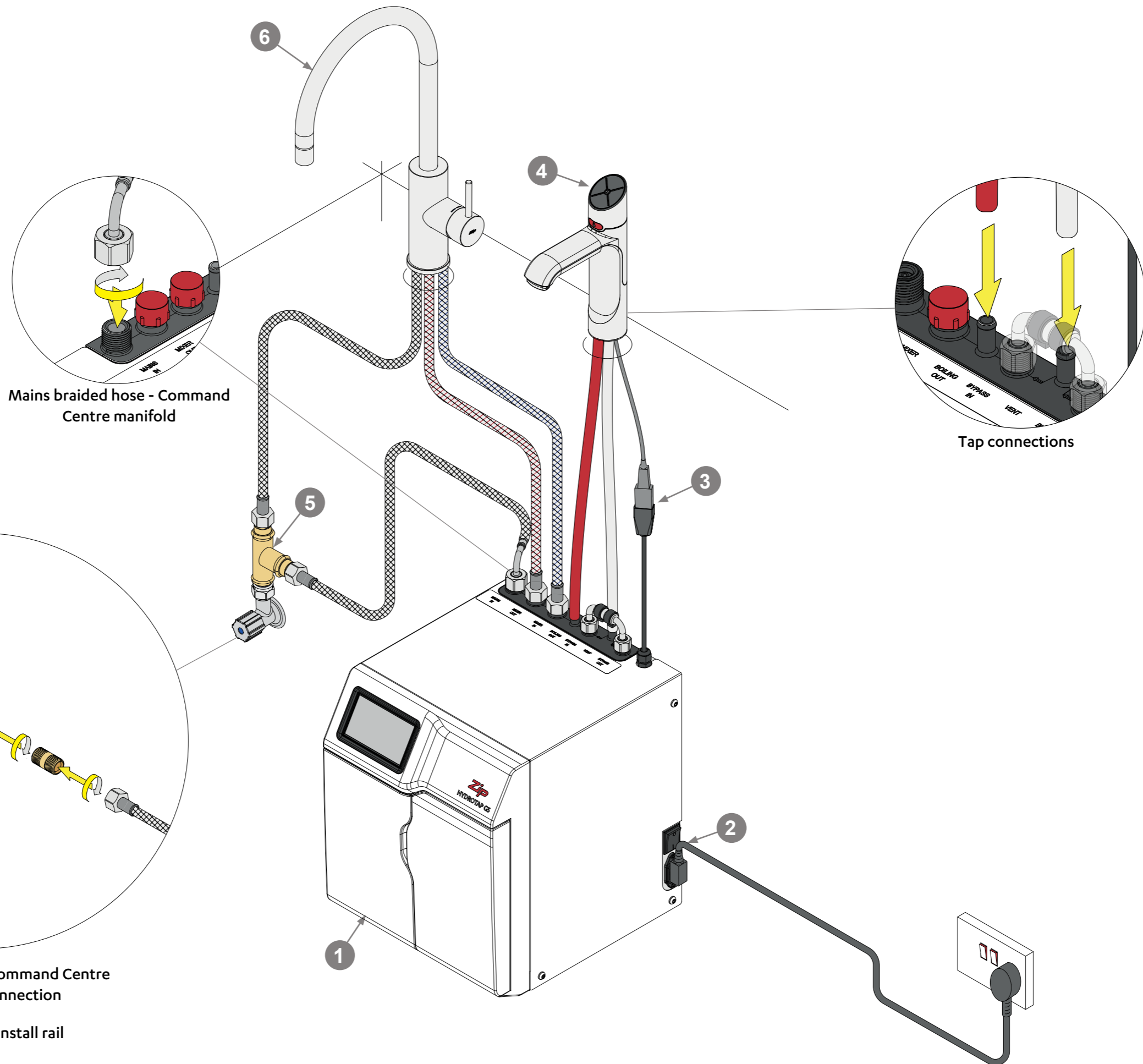
Tap connections

Mains braided hose - Command Centre Water supply connection

 For UK, use install rail

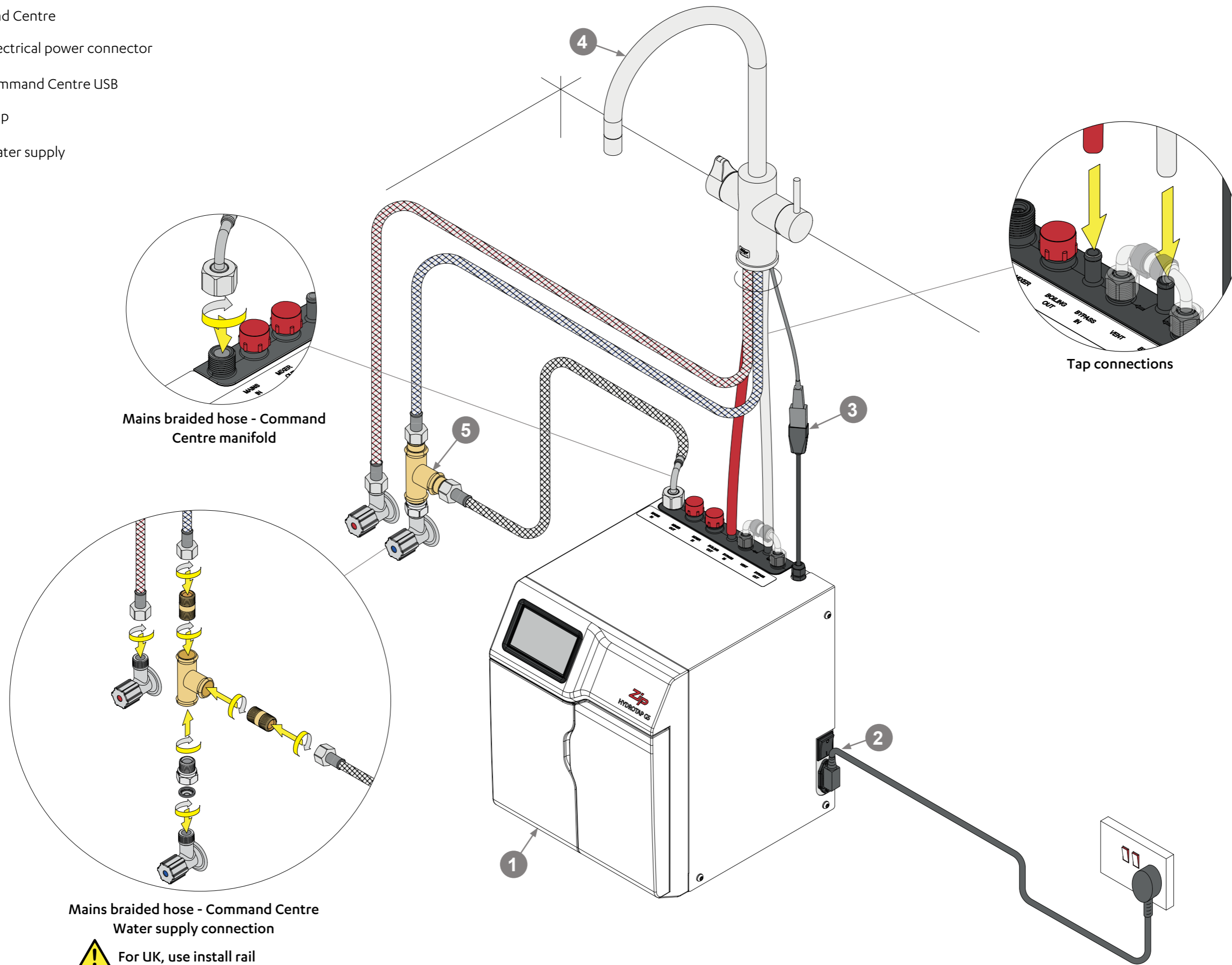
B H Home models with vented mixer tap, General layout

- 1 Command Centre
- 2 Mains electrical power connector
- 3 Tap - Command Centre USB
- 4 HydroTap
- 5 Mains water supply
- 6 Vented mixer tap

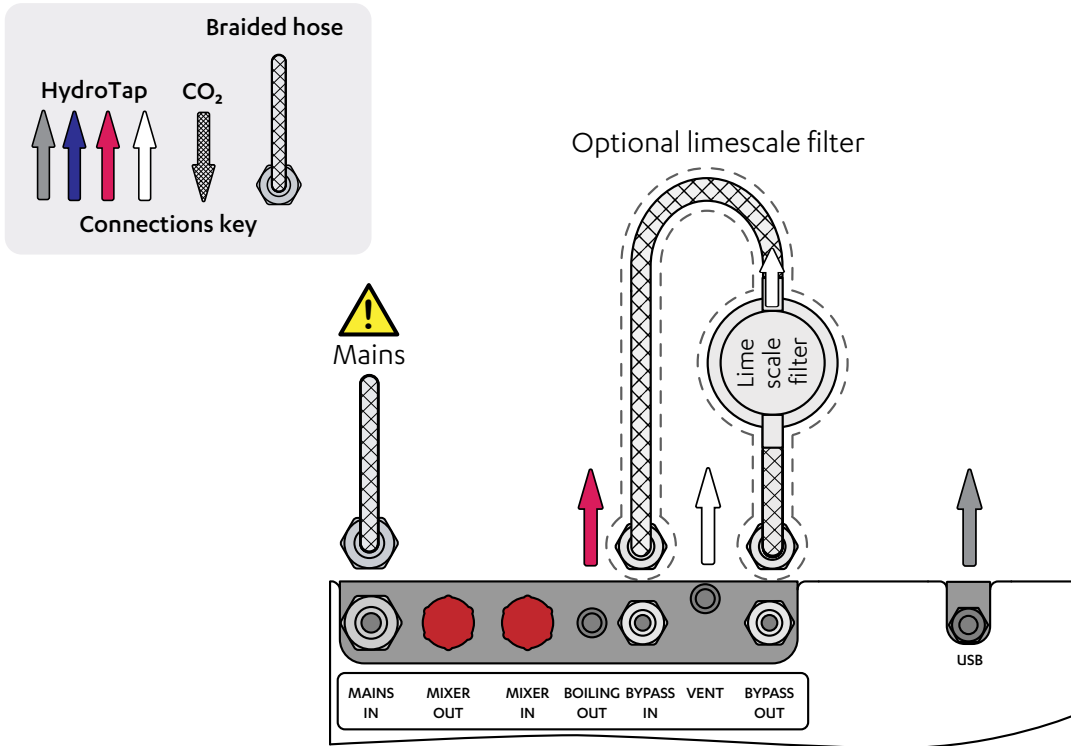


B Home, B60 models with Celsius tap, General layout

- 1 Command Centre
- 2 Mains electrical power connector
- 3 Tap - Command Centre USB
- 4 HydroTap
- 5 Mains water supply



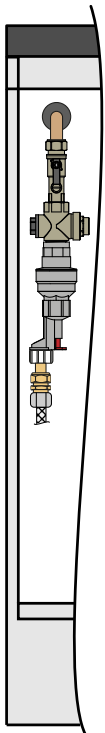
**B Home, B60 HydroTap G5 models  
Command Centre connections**



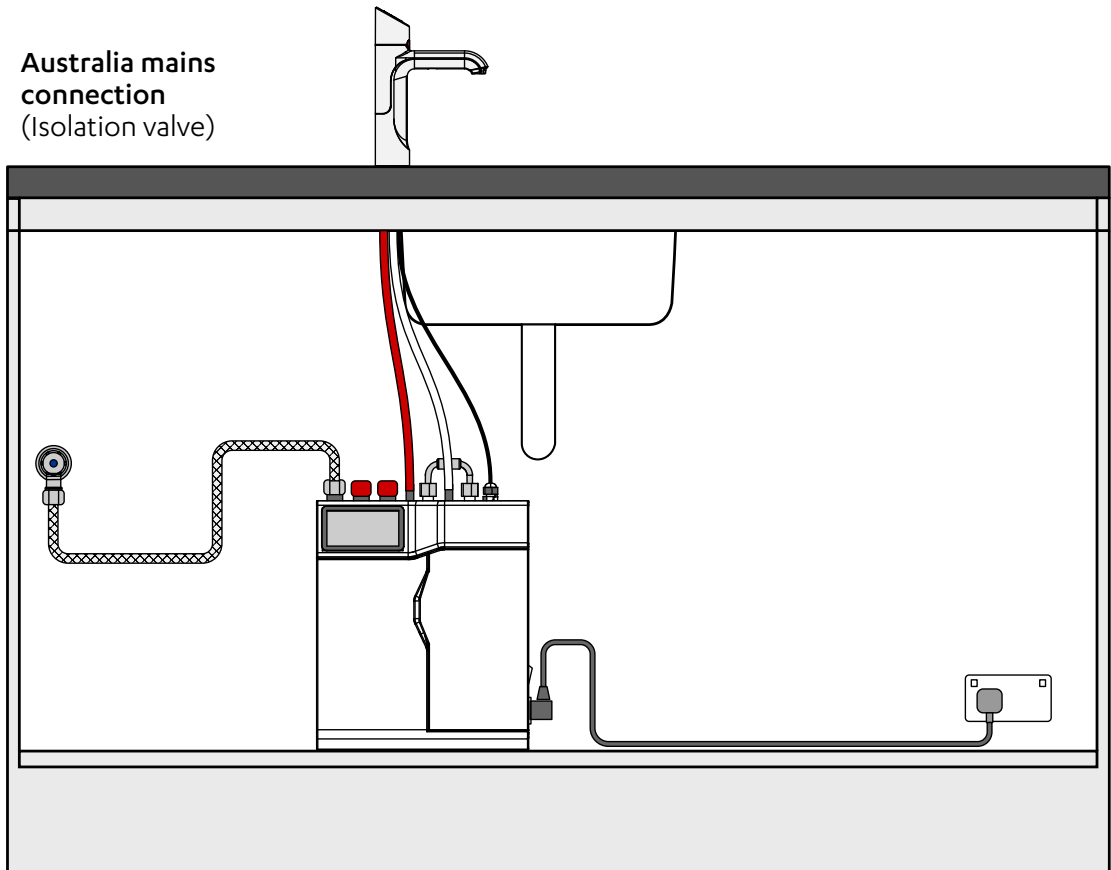
**Example Installations**

Diagram for illustrative purposes only.  
Hoses are not shown to scale.

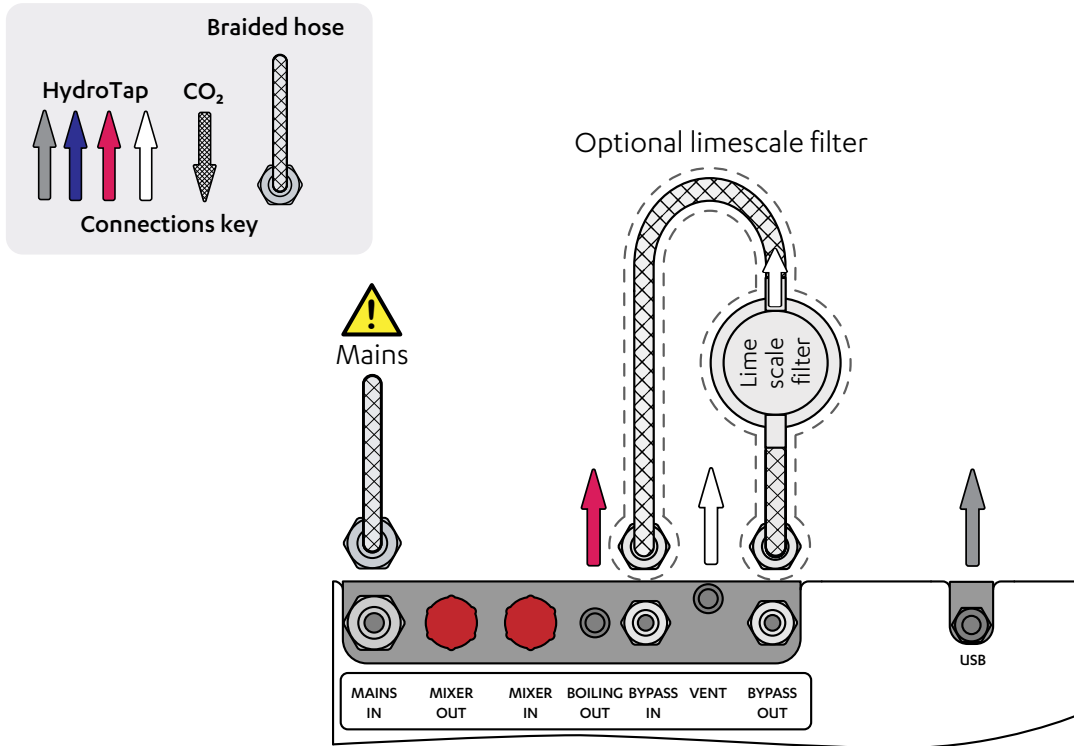
**UK mains connection**  
(install rail)



**Australia mains connection**  
(Isolation valve)



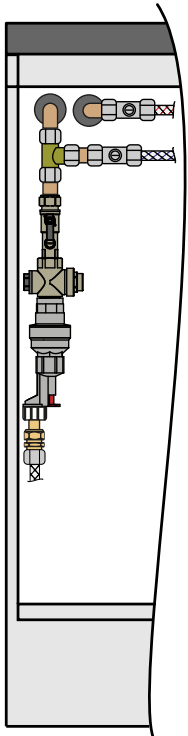
**B Home, B60 HydroTap G5 boiling with mains mixer tap models**  
**Command Centre connections**



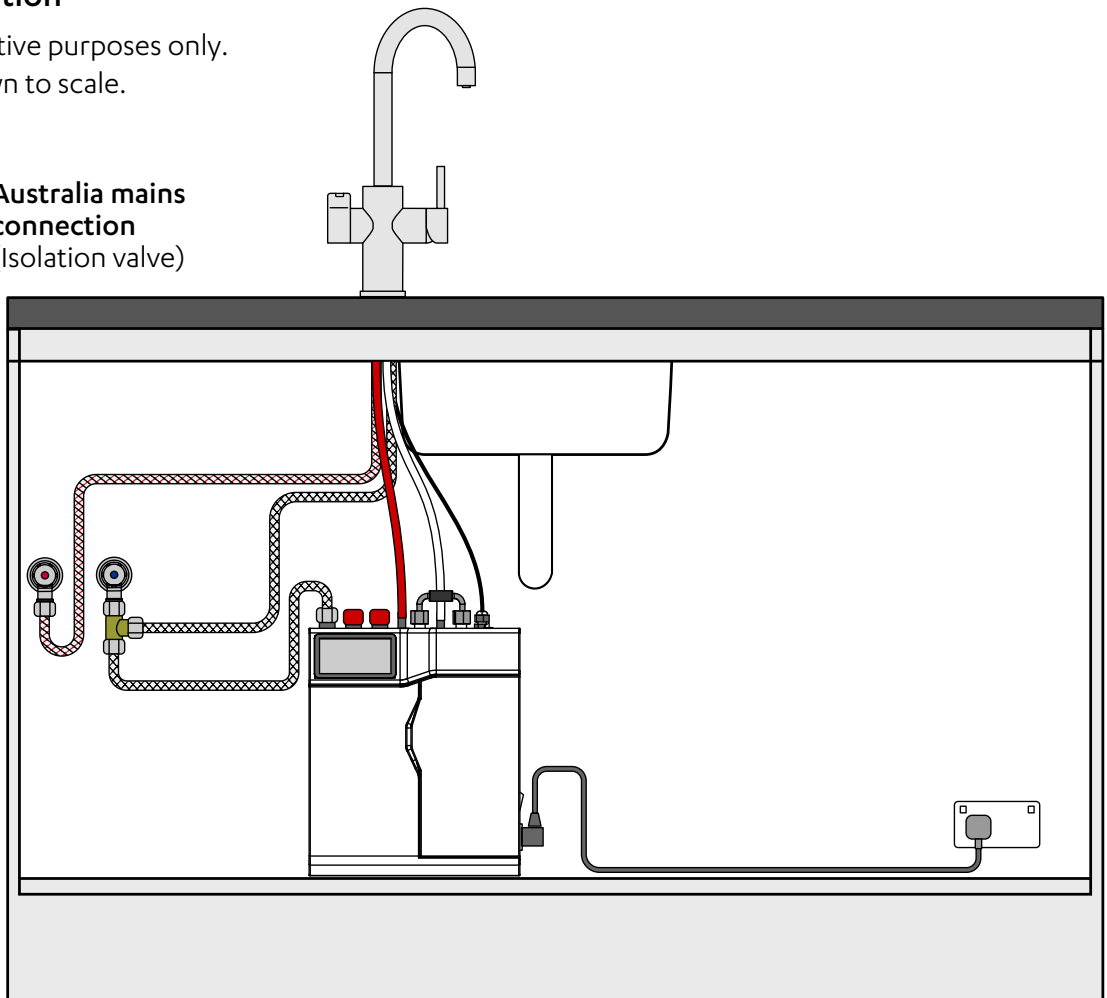
**Example installation**

Diagram for illustrative purposes only.  
 Hoses are not shown to scale.

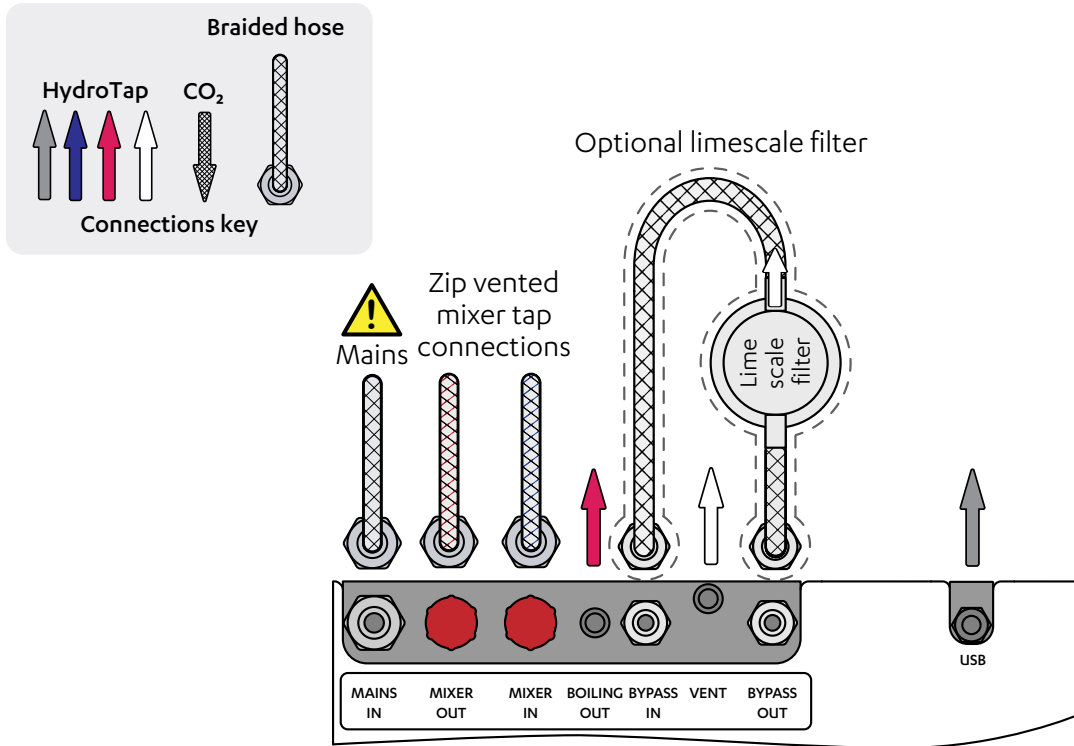
**UK mains connection**  
 (install rail)



**Australia mains connection**  
 (Isolation valve)



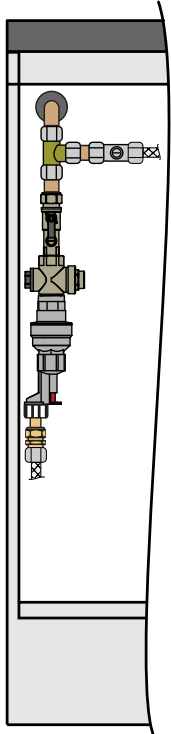
B H Home HydroTap G5 boiling with vented mixer tap models  
Command Centre connections



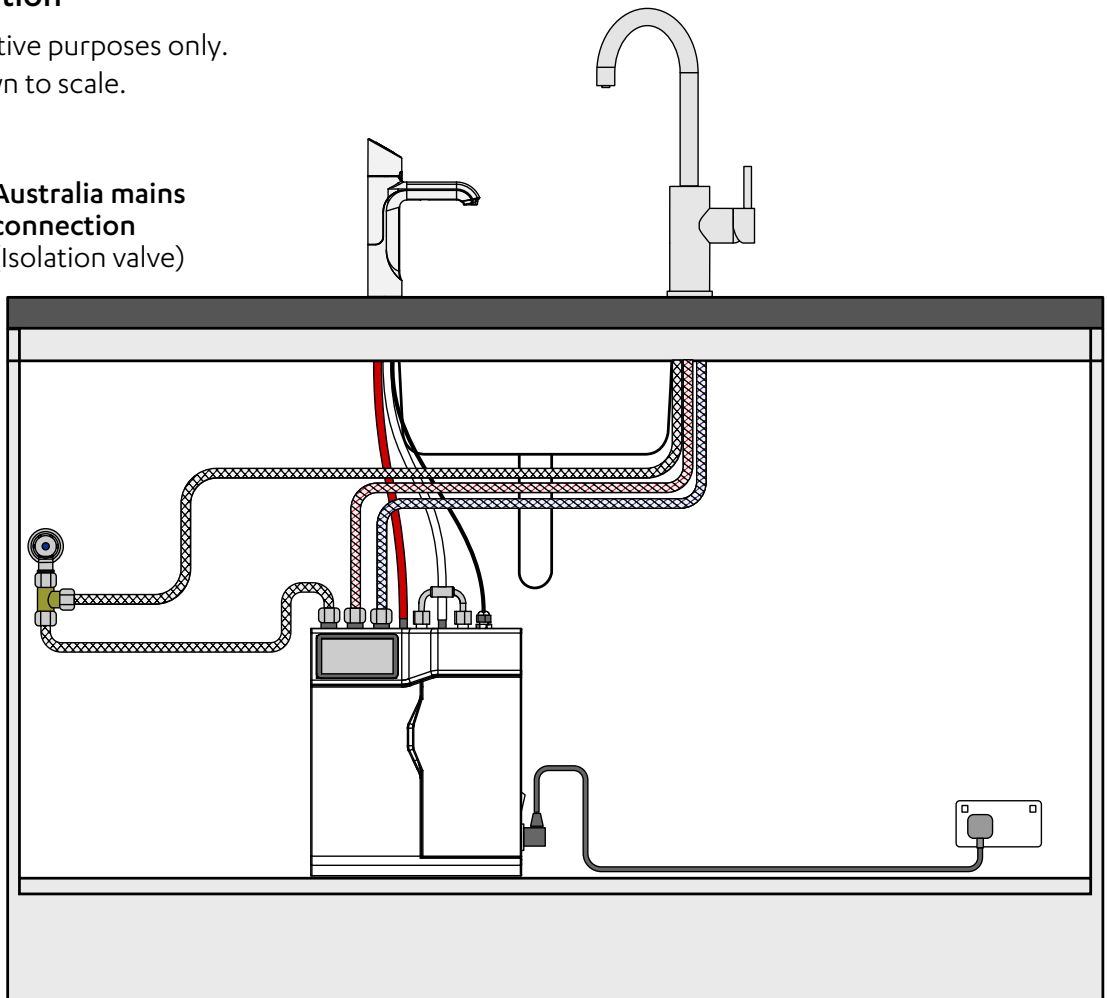
**Example installation**

Diagram for illustrative purposes only.  
Hoses are not shown to scale.

**UK mains connection**  
(install rail)

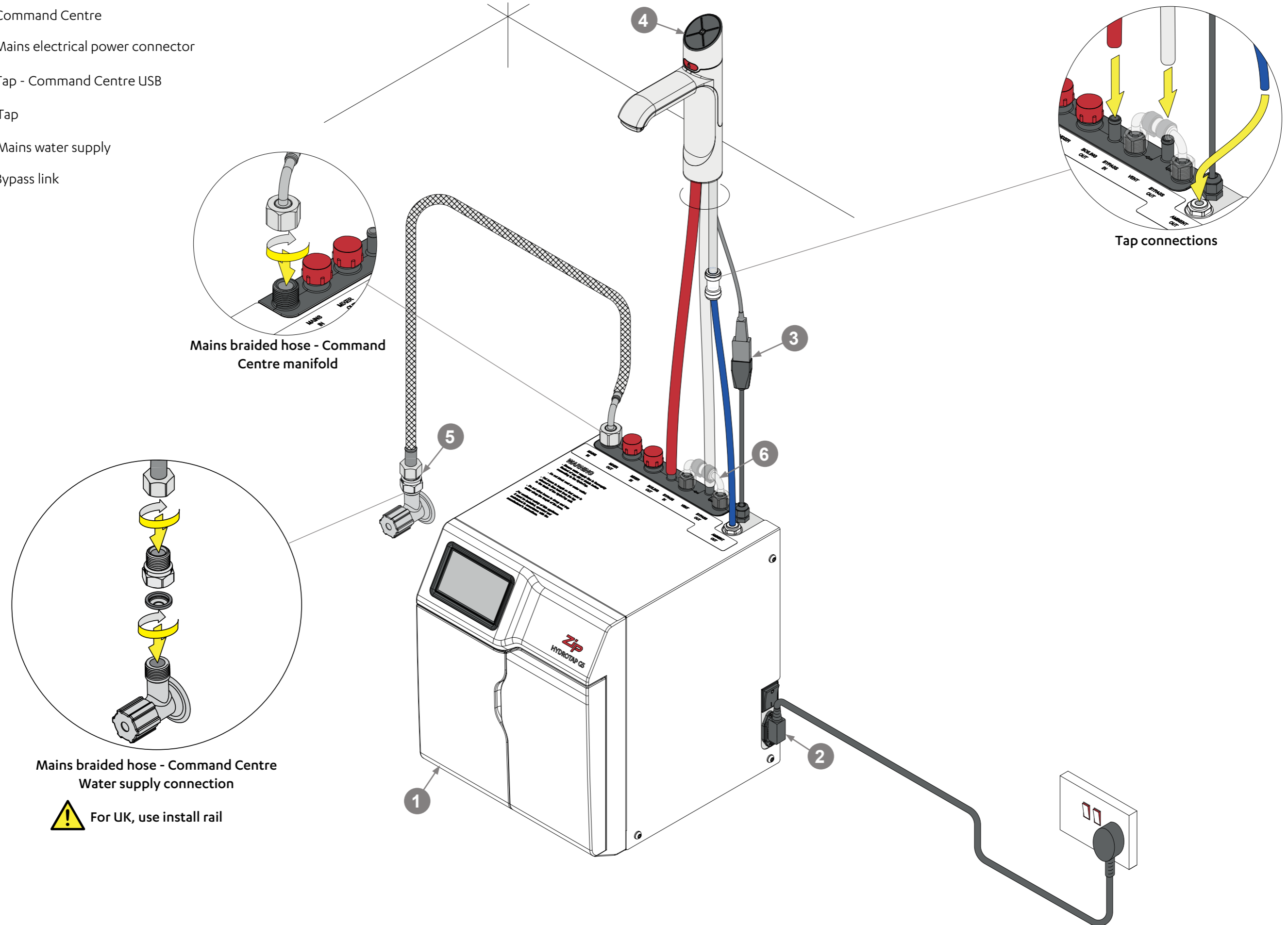


**Australia mains connection**  
(Isolation valve)



BA Home, BA60 models, General layout

- 1 Command Centre
- 2 Mains electrical power connector
- 3 Tap - Command Centre USB
- 4 Tap
- 5 Mains water supply
- 6 Bypass link



Mains braided hose - Command Centre manifold

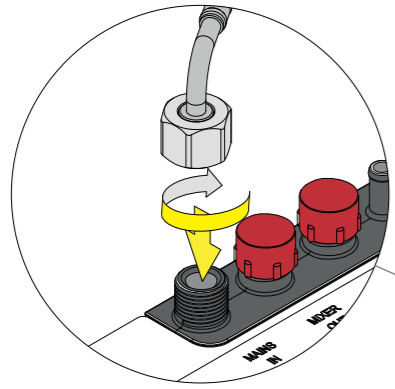
Tap connections

Mains braided hose - Command Centre Water supply connection

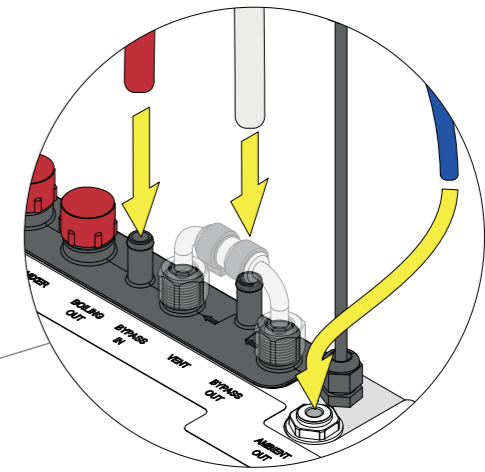
For UK, use install rail

BA Home, BA60 models with Celsius tap, General layout

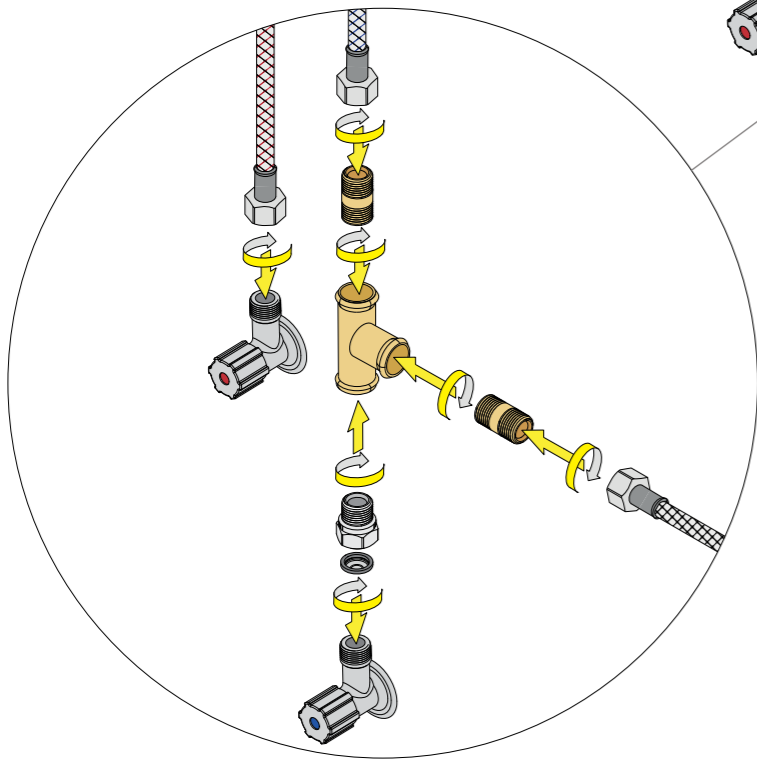
- 1 Command Centre
- 2 Mains electrical power connector
- 3 Tap - Command Centre USB
- 4 HydroTap
- 5 Mains water supply




Mains braided hose - Command Centre manifold

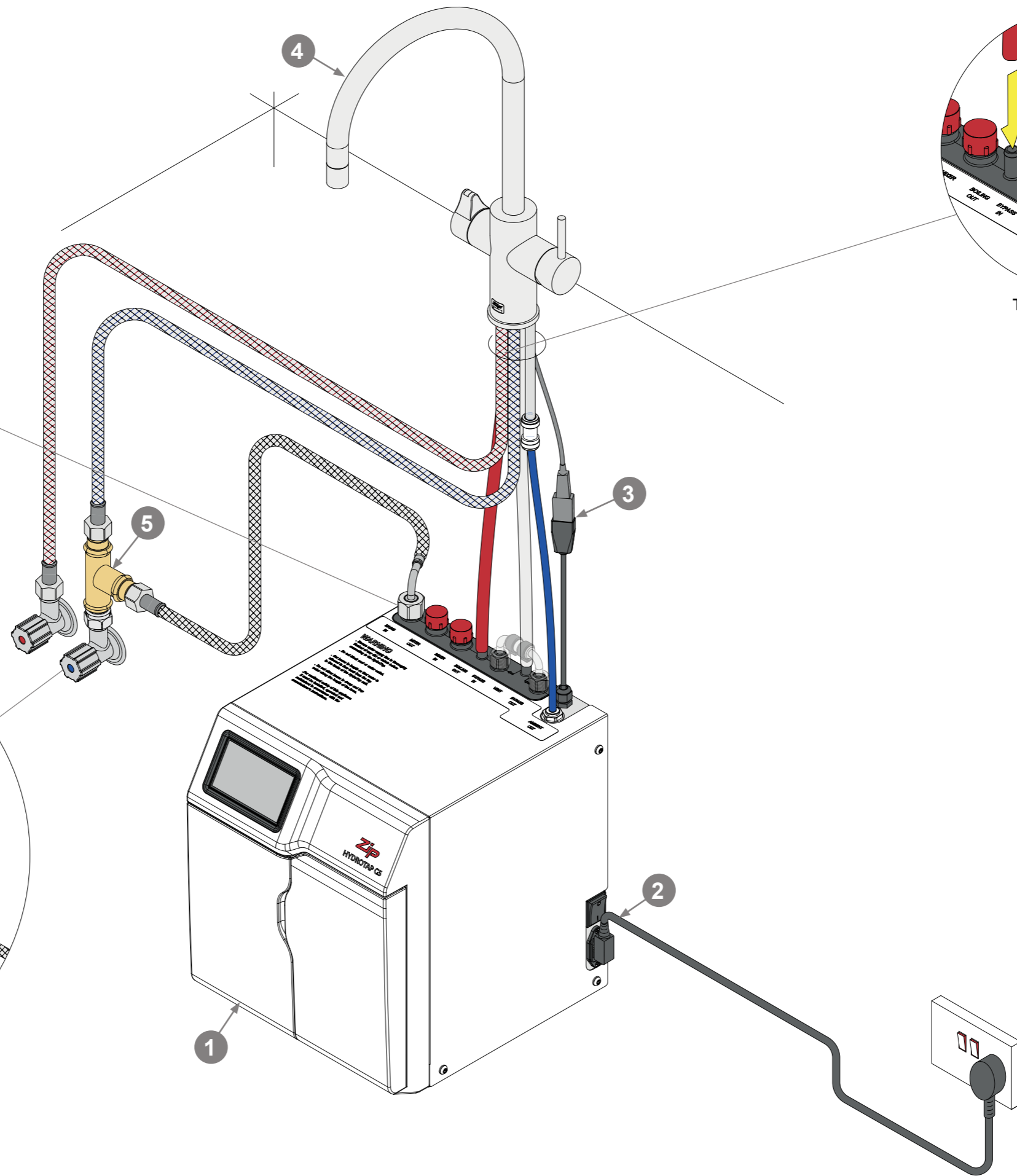


Tap connections

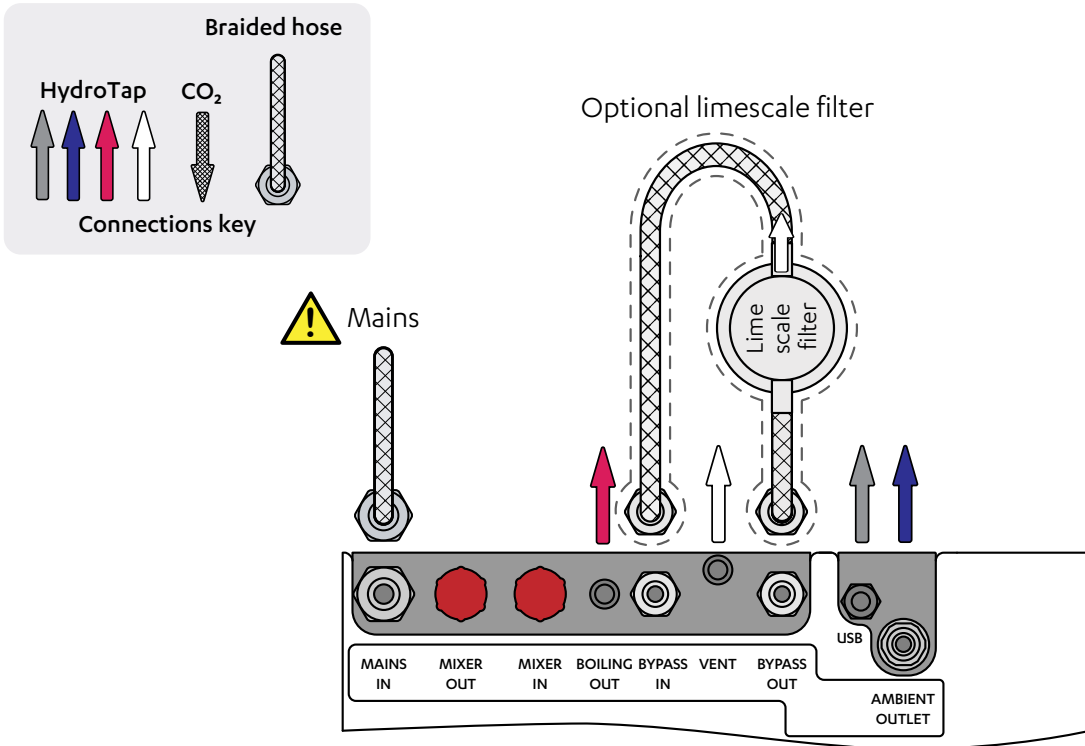


Mains braided hose - Command Centre Water supply connection

 For UK, use install rail



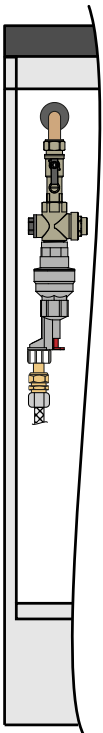
BA Home, BA60 HydroTap G5 models  
Command Centre connections



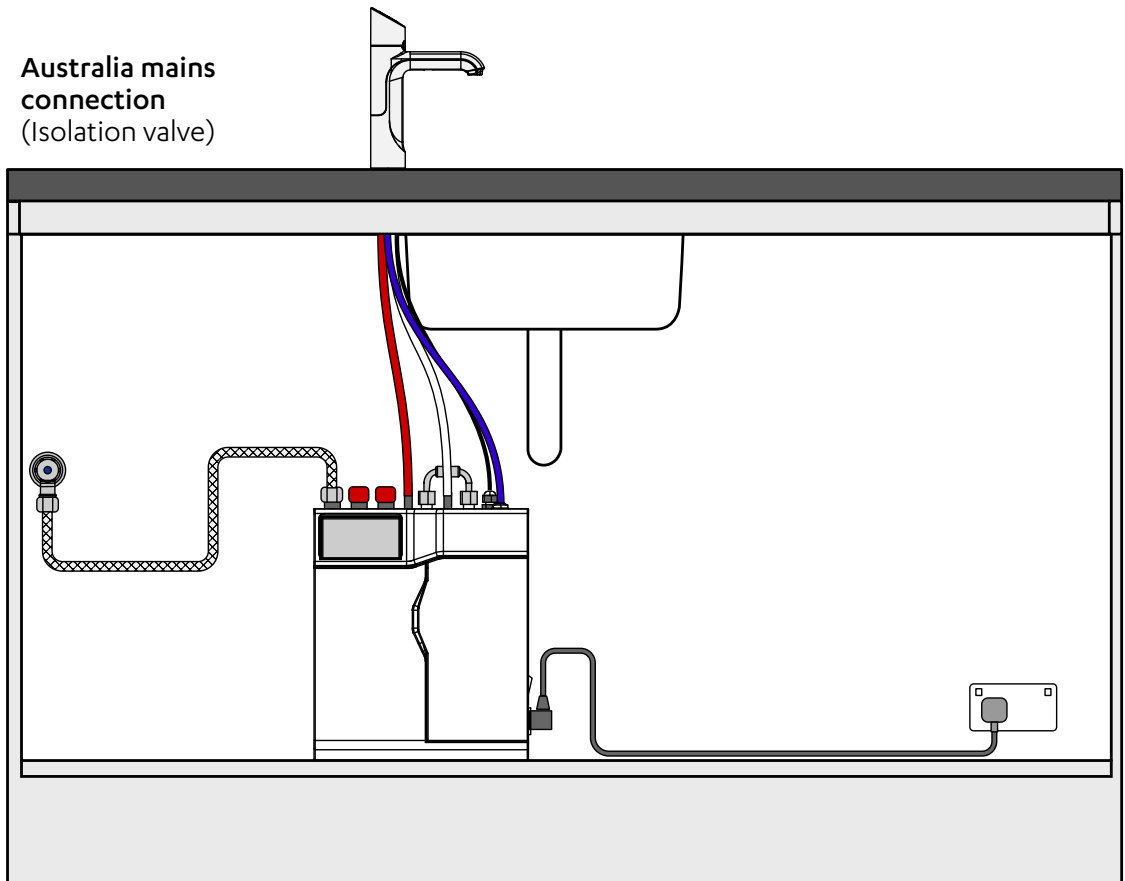
**Example Installations**

Diagram for illustrative purposes only.  
Hoses are not shown to scale.

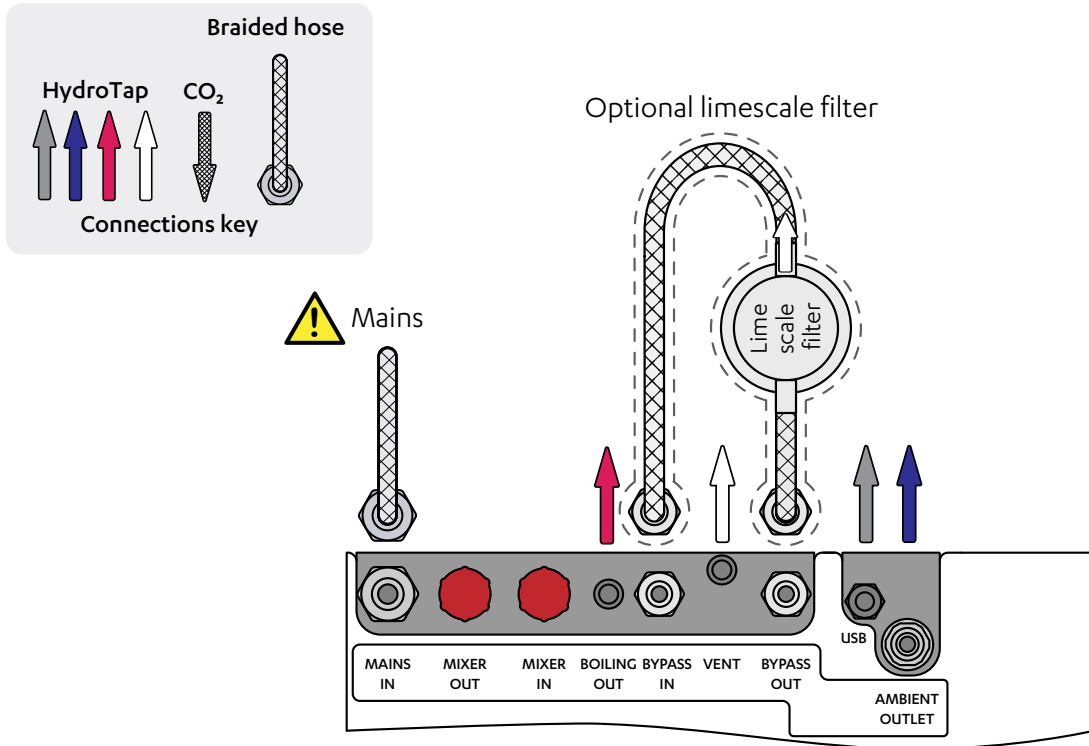
**UK mains connection**  
(install rail)



**Australia mains connection**  
(Isolation valve)



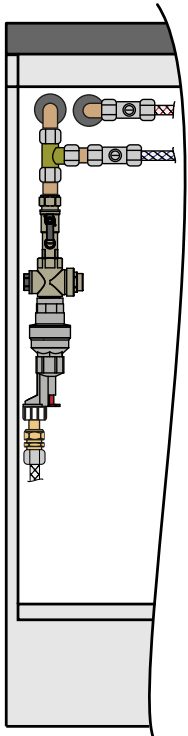
BA Home, BA60 HydroTap G5 boiling ambient with mains mixer tap models  
Command Centre connections



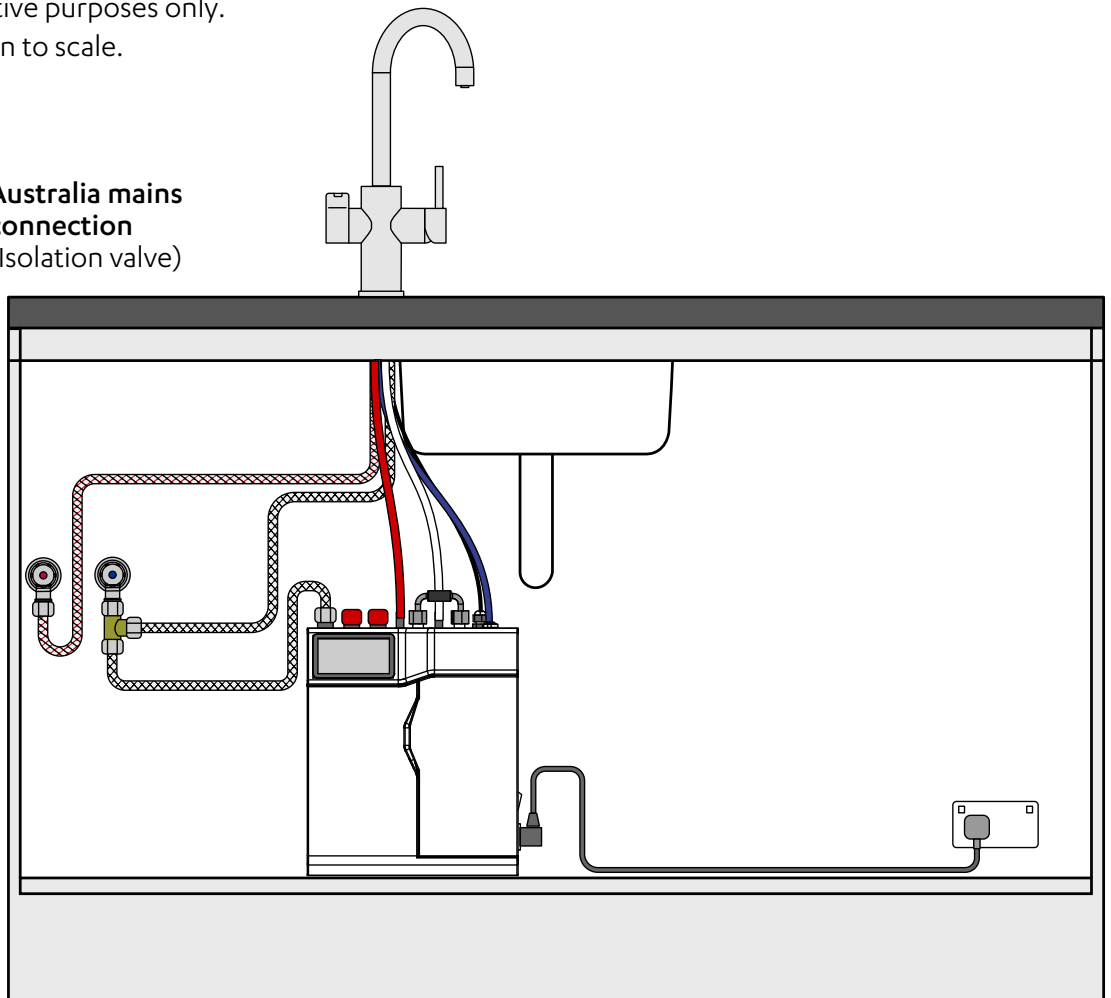
Example installation

Diagram for illustrative purposes only.  
Hoses are not shown to scale.

UK mains connection  
(install rail)

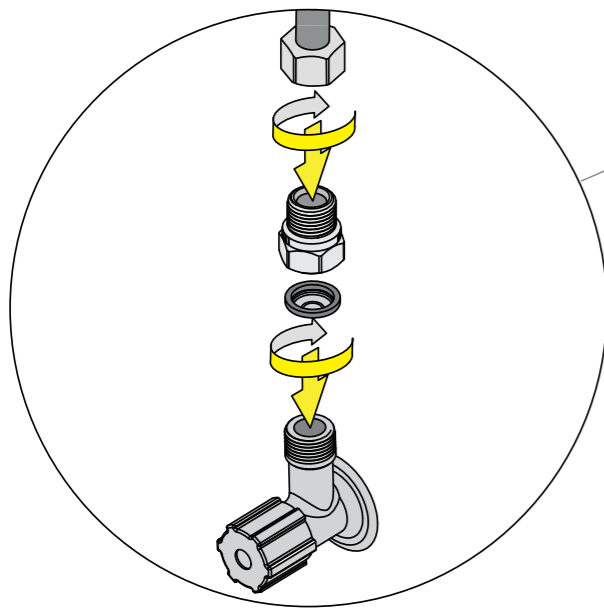
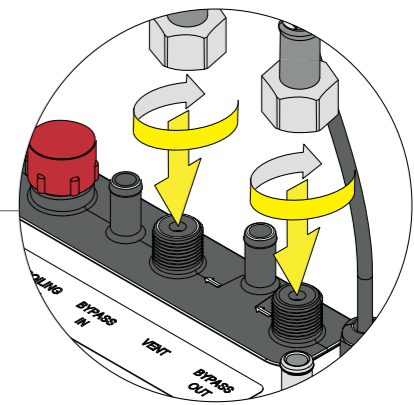
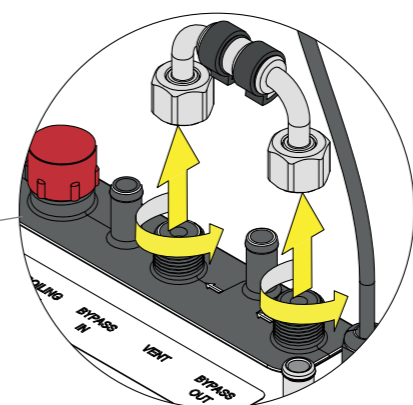
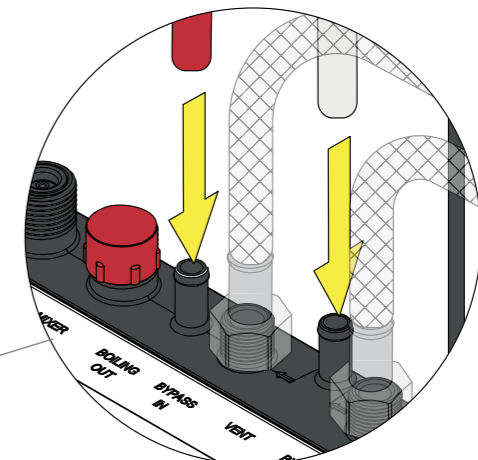
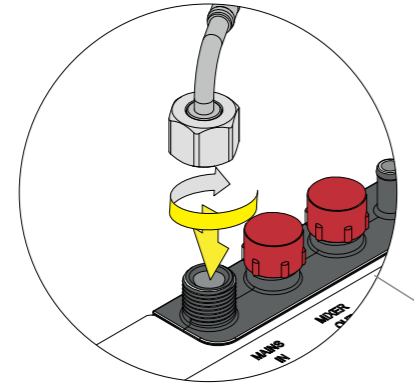
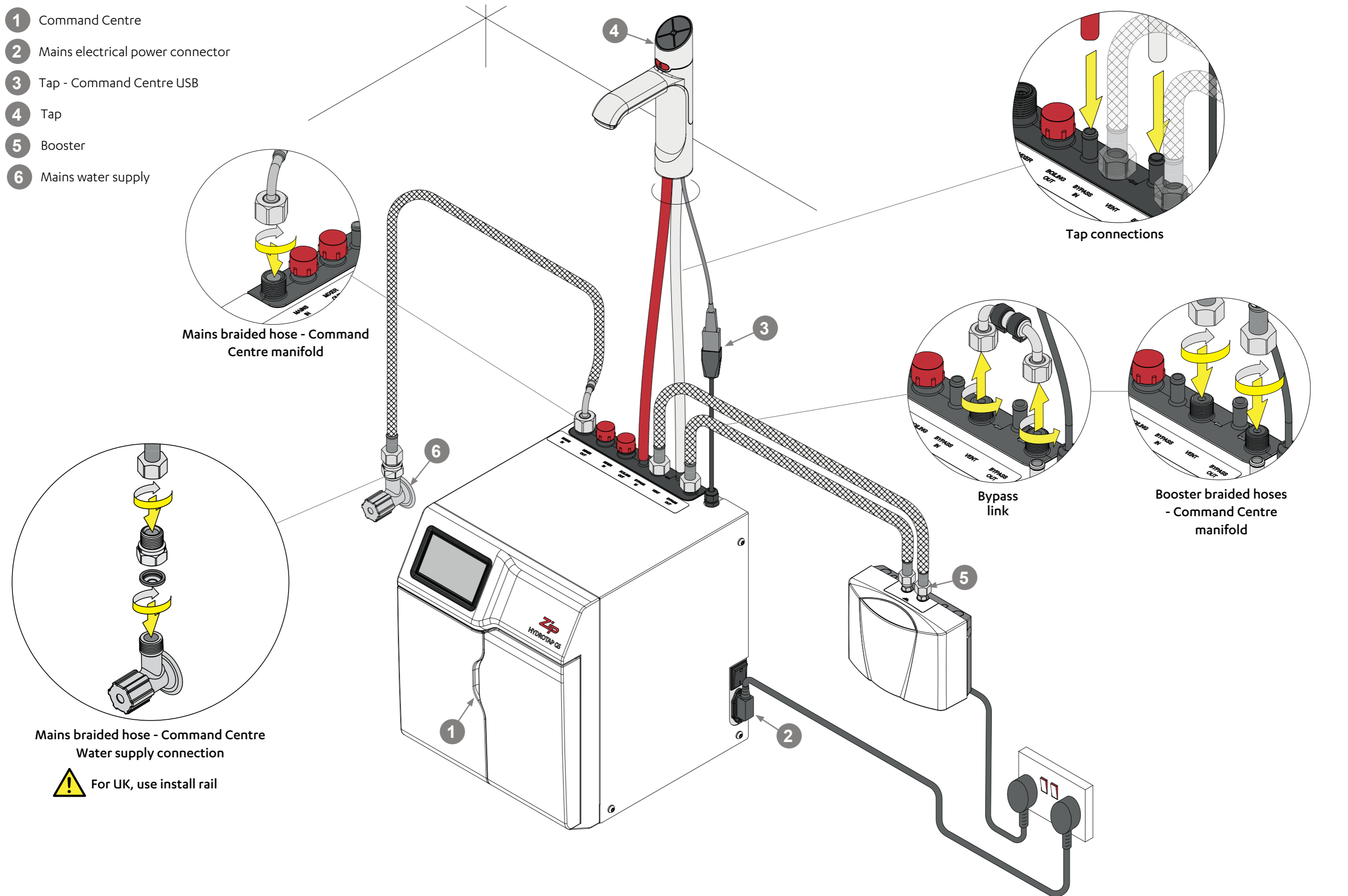


Australia mains connection  
(Isolation valve)



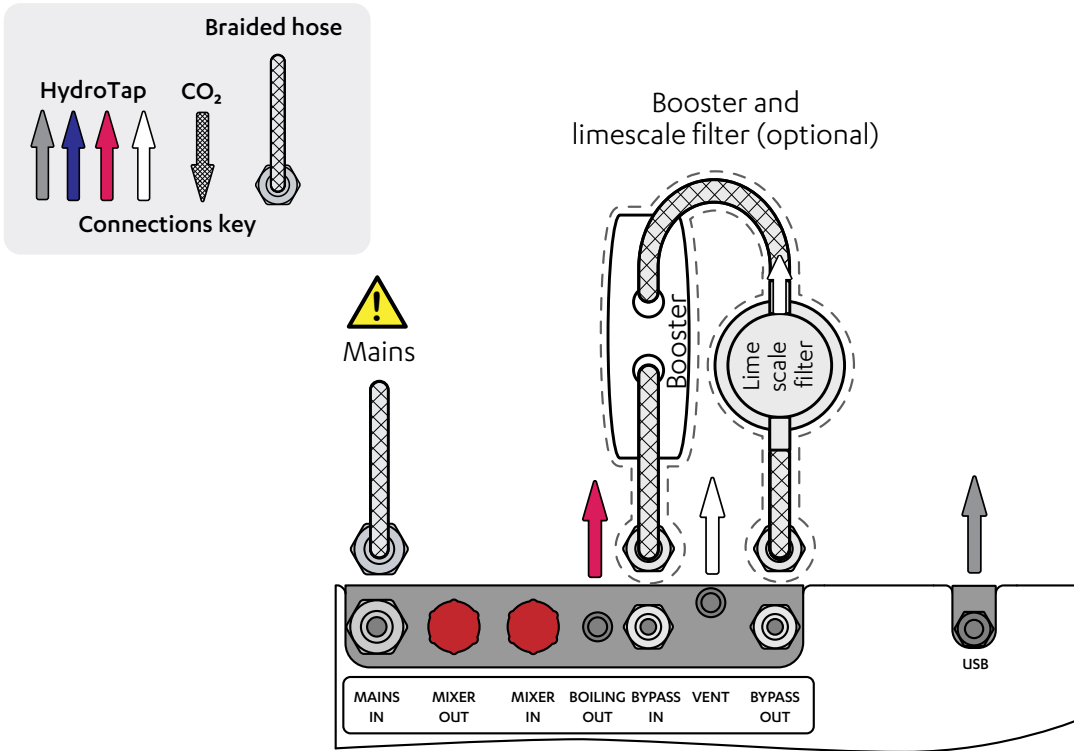
B100 models, General layout

- 1 Command Centre
- 2 Mains electrical power connector
- 3 Tap - Command Centre USB
- 4 Tap
- 5 Booster
- 6 Mains water supply



For UK, use install rail

B100 HydroTap G5 models  
Command Centre connections



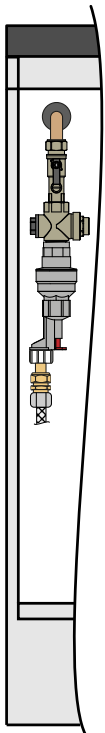
**Example Installations**

Diagram for illustrative purposes only.

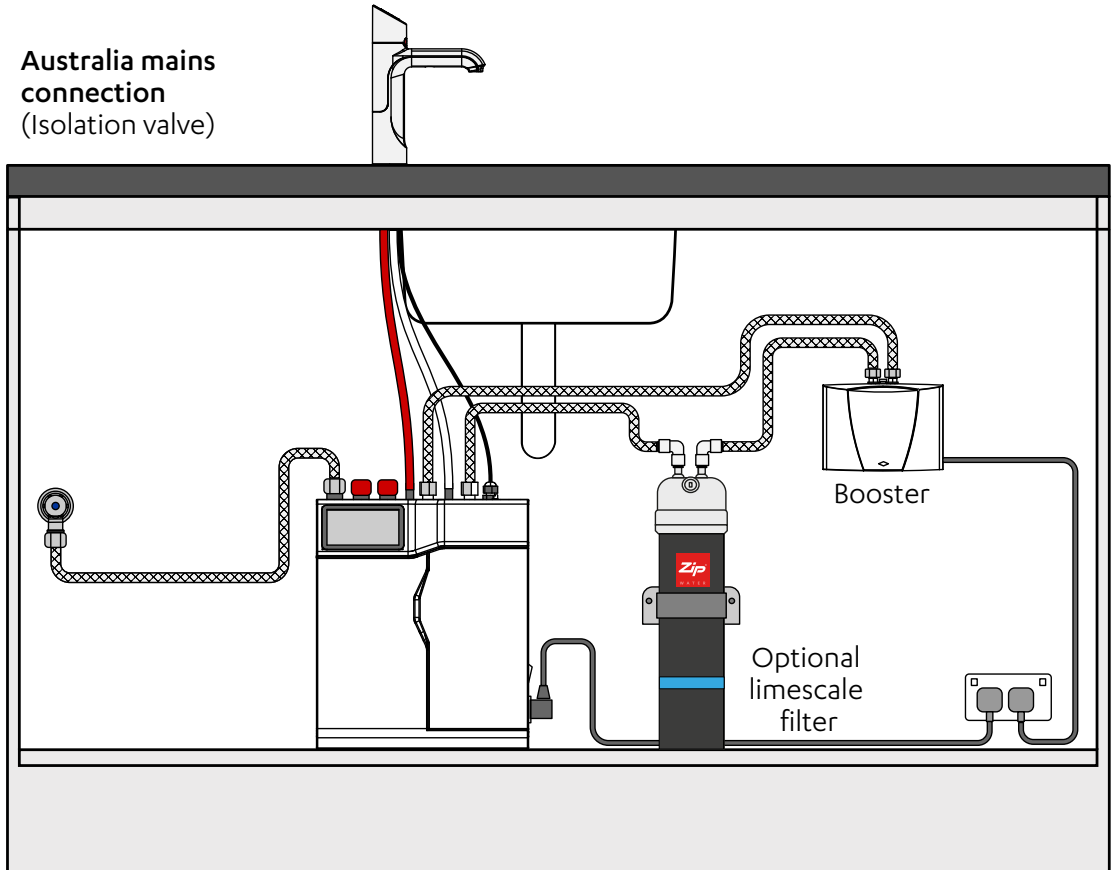
Hoses are not shown to scale.

The booster hoses cannot be lengthened.

**UK mains connection**  
(install rail)

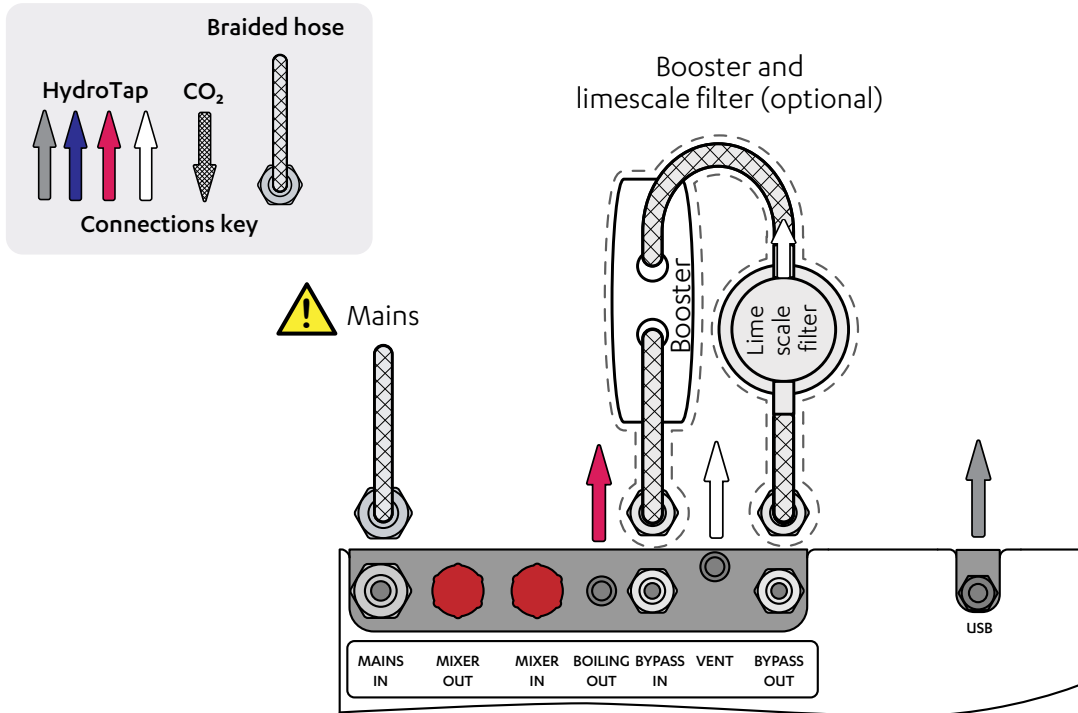


**Australia mains connection**  
(Isolation valve)



B100 HydroTap G5 boiling with mains mixer tap models

Command Centre connections



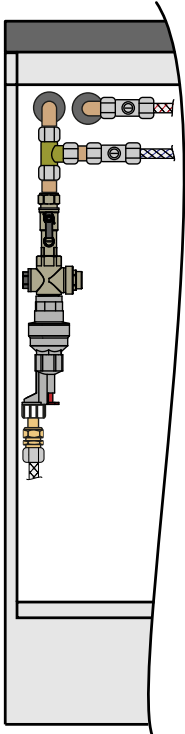
Example installation

Diagram for illustrative purposes only.

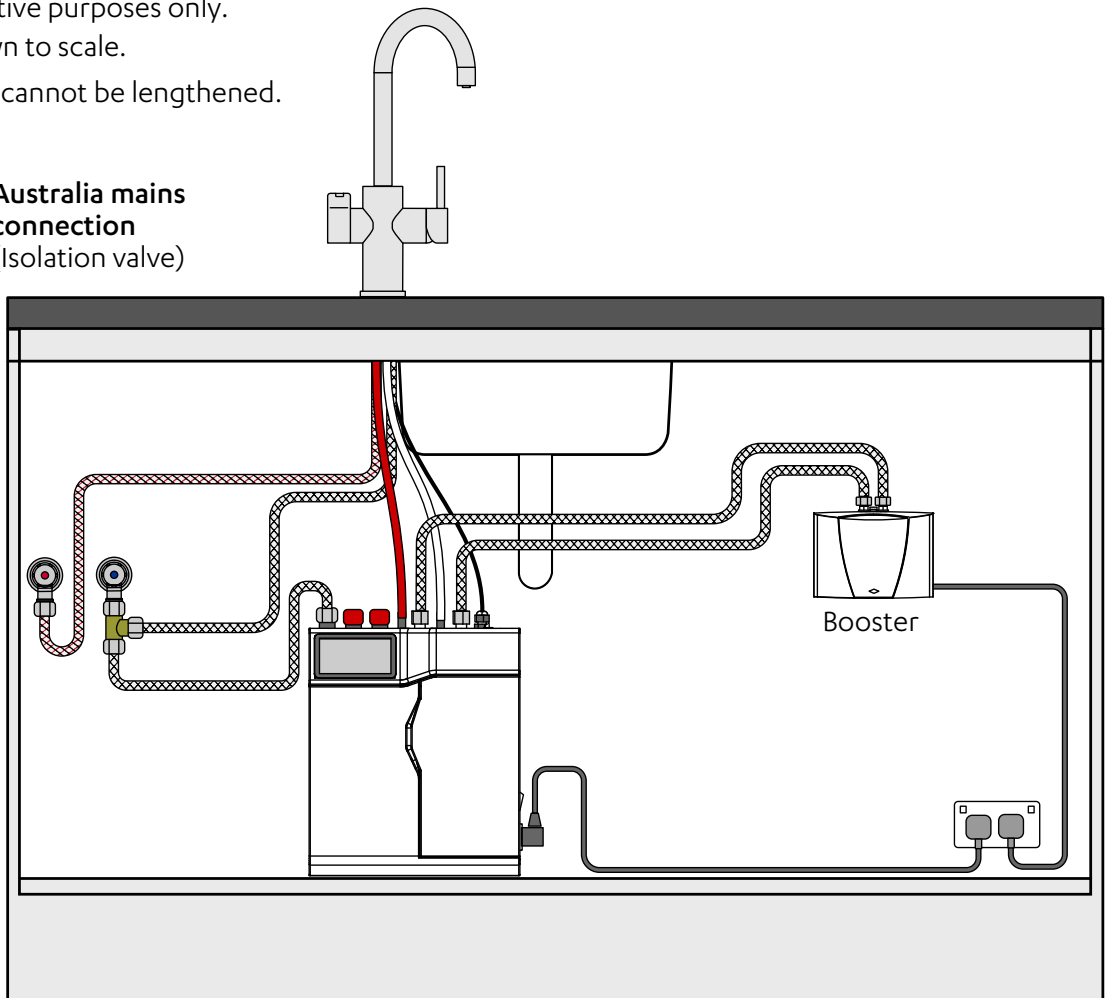
Hoses are not shown to scale.

The booster hoses cannot be lengthened.

UK mains connection (install rail)

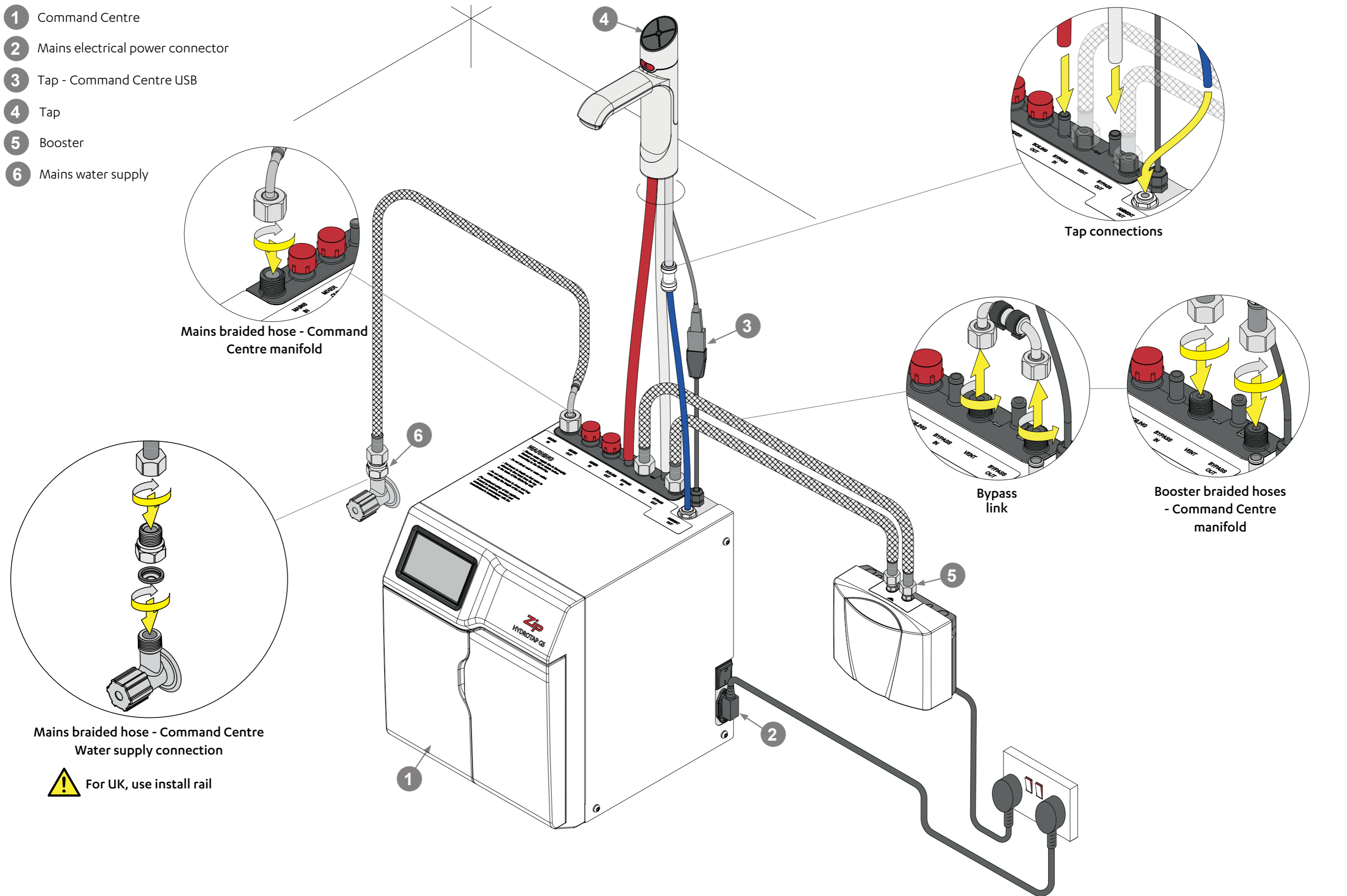


Australia mains connection (Isolation valve)

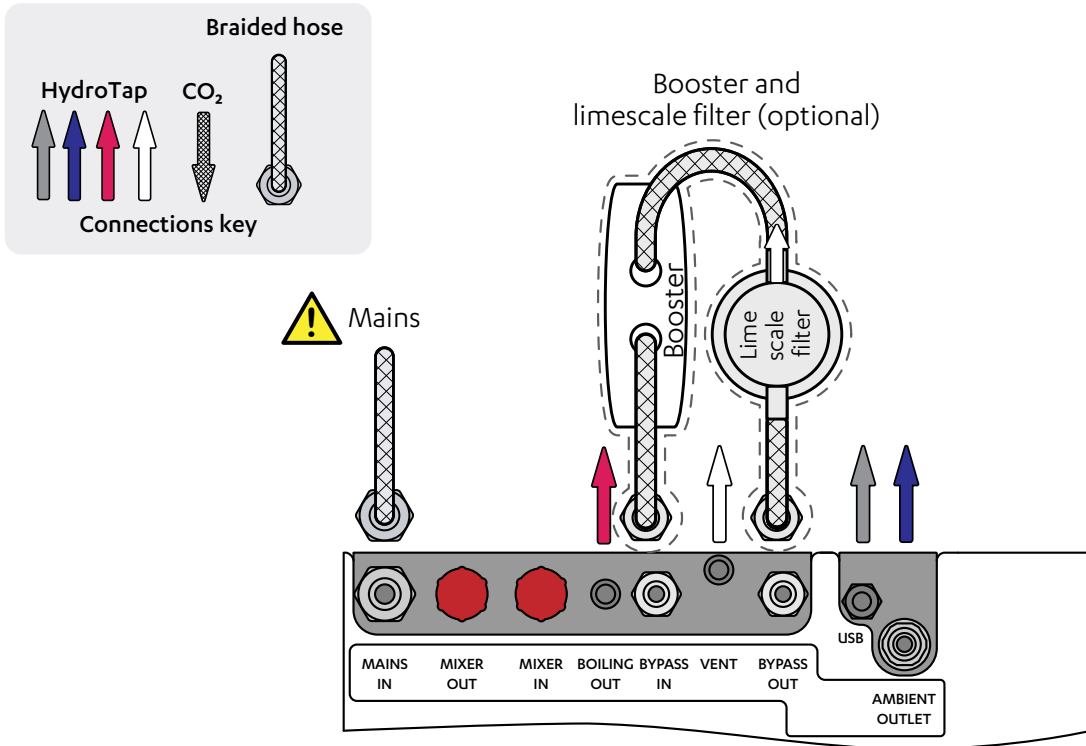


BA100 models, General layout

- 1 Command Centre
- 2 Mains electrical power connector
- 3 Tap - Command Centre USB
- 4 Tap
- 5 Booster
- 6 Mains water supply



BA100 HydroTap G5 models  
Command Centre connections



Example Installations

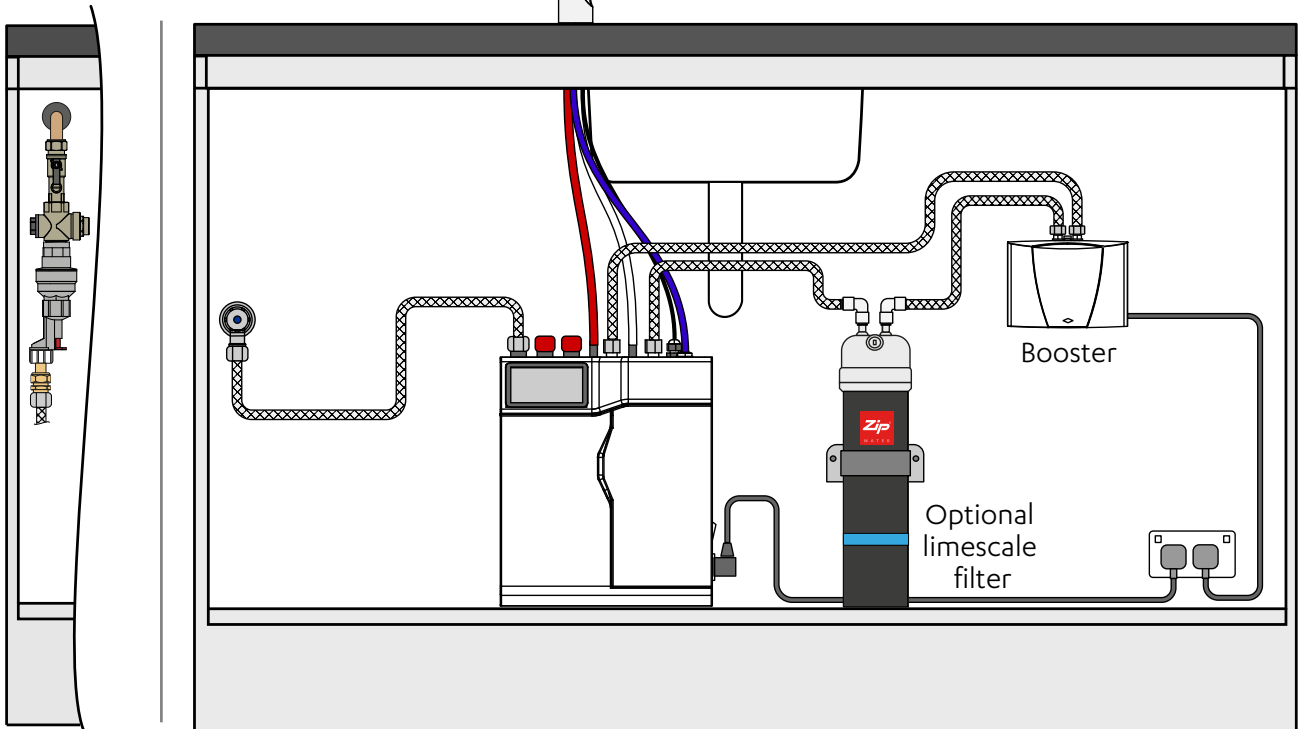
Diagram for illustrative purposes only.

Hoses are not shown to scale.

The booster hoses cannot be lengthened.

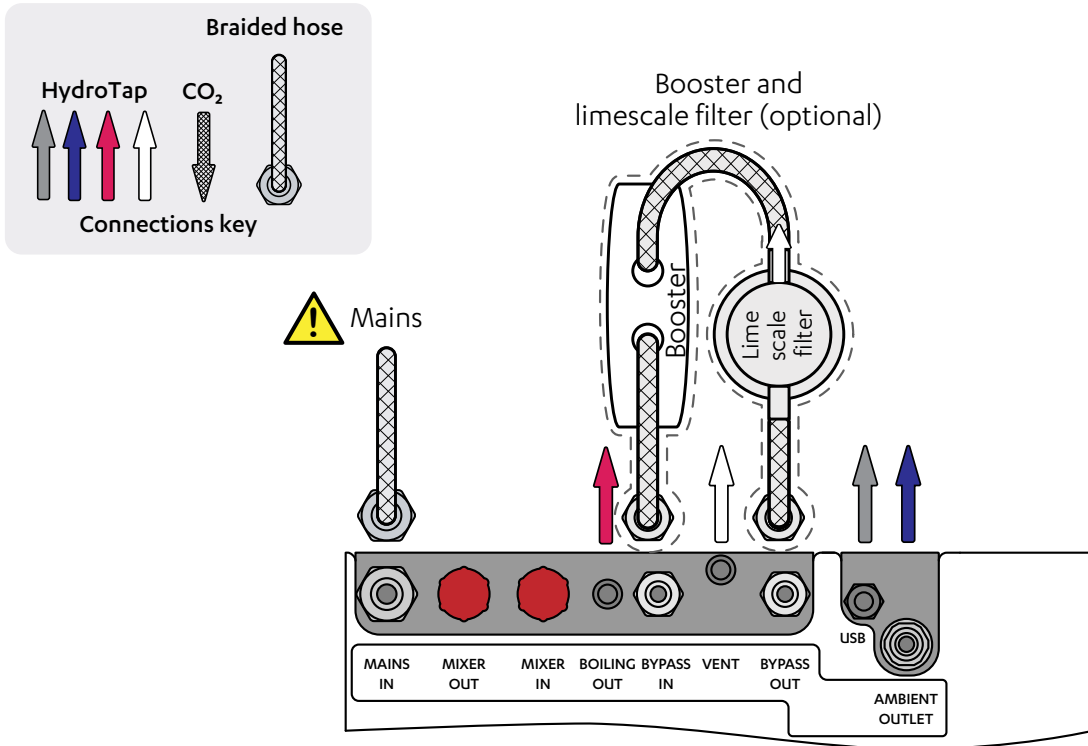
UK mains connection  
(install rail)

Australia mains connection  
(Isolation valve)



BA100 HydroTap G5 boiling with mains mixer tap models

Command Centre connections



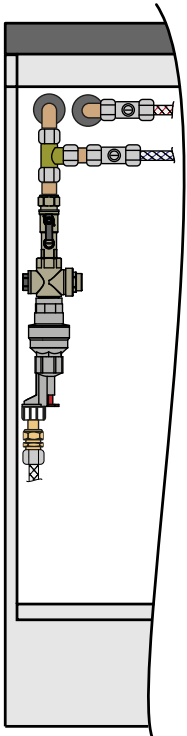
Example installation

Diagram for illustrative purposes only.

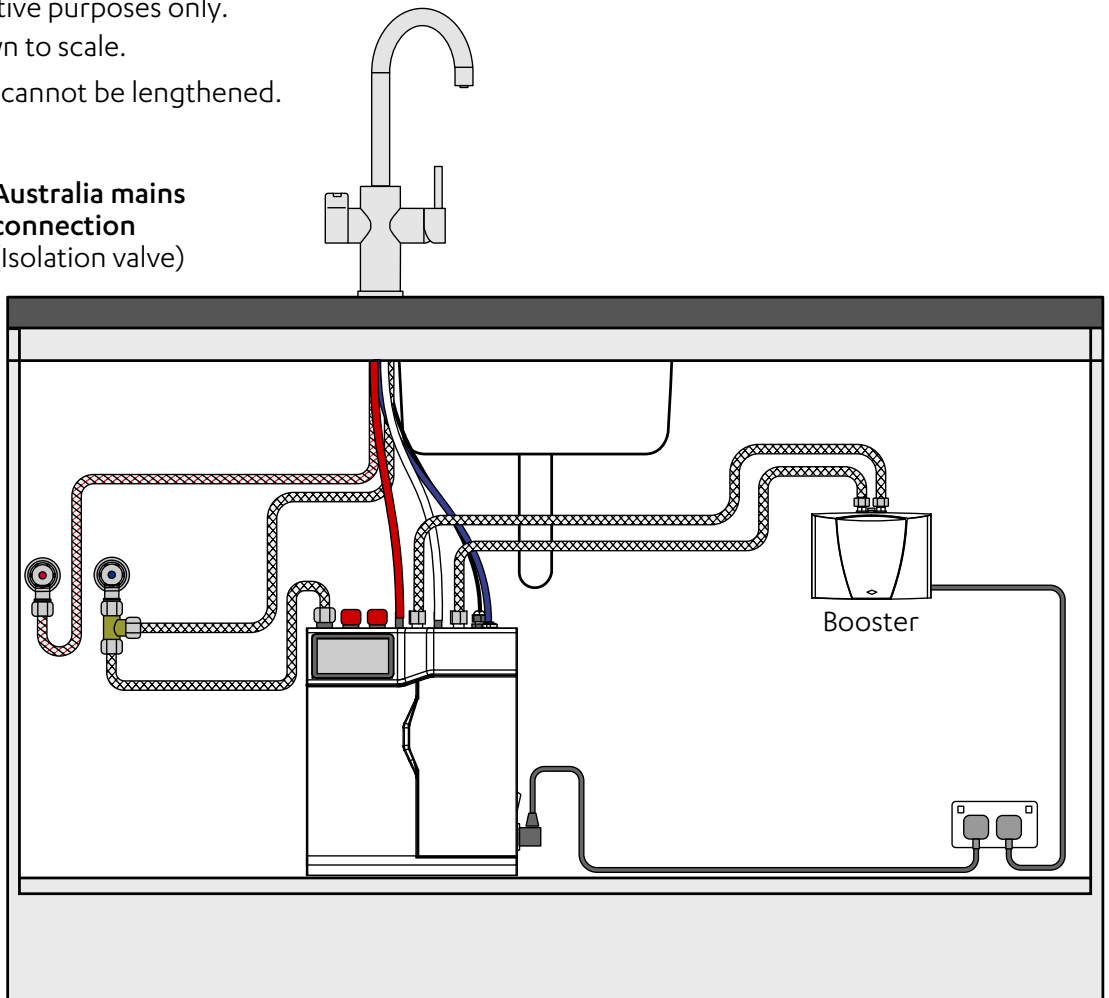
Hoses are not shown to scale.

The booster hoses cannot be lengthened.

UK mains connection (install rail)



Australia mains connection (Isolation valve)



## Commissioning using the HydroTap Clean can

### The HydroTap Clean process

HydroTap Clean is a first to market cleaning process for HydroTap systems comprised of the HydroTap Clean solution, dosing adaptor and smart firmware.

The HydroTap Clean process is automated and gently cleans the chilled and sparkling water paths during the commissioning of a new HydroTap Command Centre.

The HydroTap Clean solution is:

Safe, natural, certified organic, PH neutral, biodegradable solution produced by electrochemically activated water acting like a detergent.

HydroTap Clean is also non-corrosive to gently clean the chilled and sparkling internal water paths of your new HydroTap.

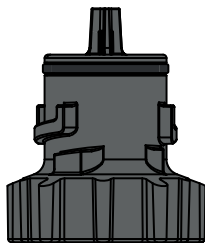
### Parts supplied with the kit

Parts supplied with the HydroTap Clean kit	Qty
HydroTap Clean can adapter (1) (used in filter head)	1
HydroTap Clean can (2)	1
HydroTap Clean instructions	1

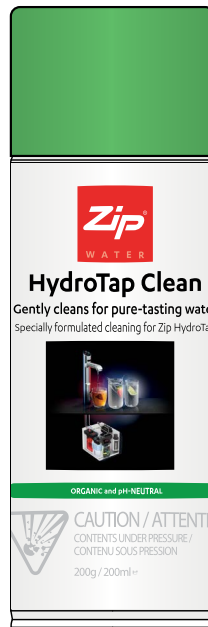
### Parts identification



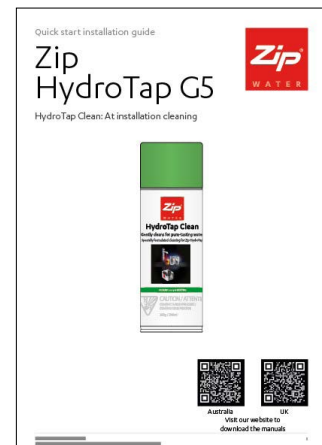
**WARNING ! Do not connect the parts together before carefully reading/following instructions.**



HydroTap Clean adapter (1)



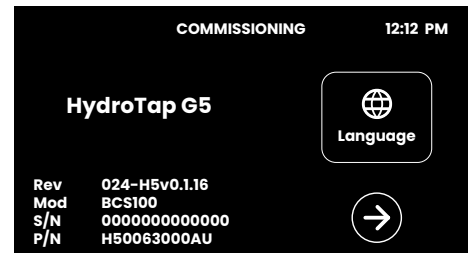
HydroTap Clean can (2)



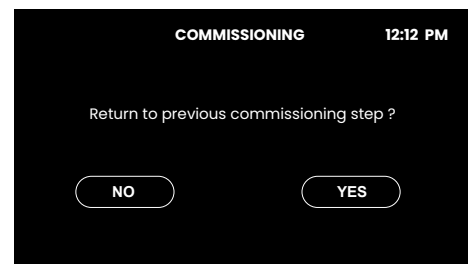
HydroTap Clean instructions

### Turn on the supplies & familiarise yourself with the system

- Connect the mains electrical power cable to the supply.
- Turn the power and water on and check for any leaks.
- Familiarise yourself with the operation of the tap and GUI screen in preparation for use, see the user guide.
- Initial commissioning touch screen , set language option.
- The language is set automatically by country, but this can be changed manually, if required, by touching the language icon.

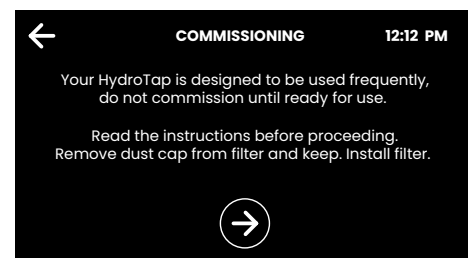
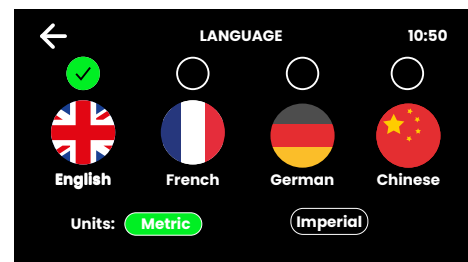


- Optional screen shown if the commissioning was previously started but not complete (Command Centre powered off during process). Otherwise screen will not be shown.



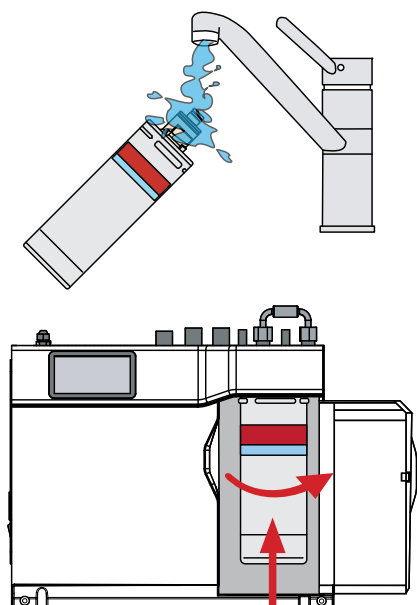
### Select the language

- Touch the appropriate button to select the language and units of choice.
- Touch the back arrow to go back to previous menu.
- In the previous menu, touch the arrow to begin the commissioning process.
- Read the commissioning information, touch the forward arrow to go to the next screen.
- (Touch the back arrow to go back to previous menu).



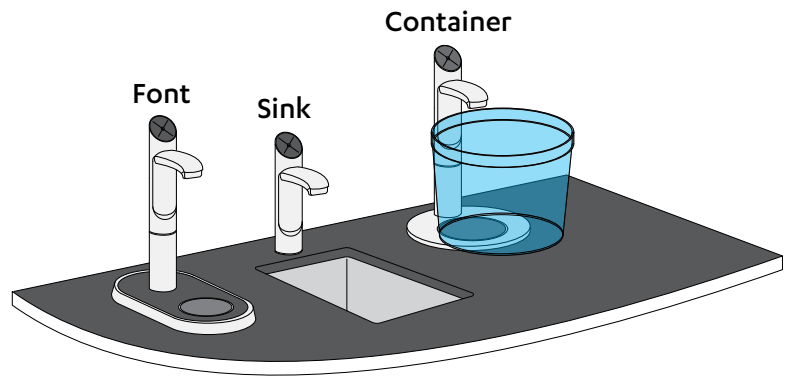
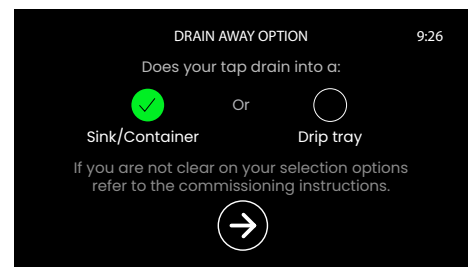
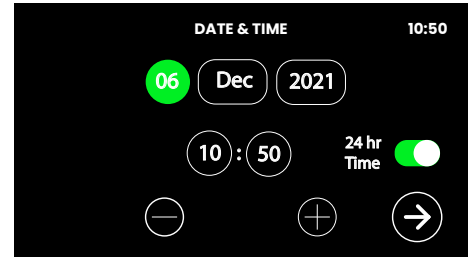
### Install the filter cartridge

- Unpack filter cartridge.
- Remove dust cap and set aside in a clean area for use later.
- Write today's date where shown on the label.
- Avoid touching the filter o-rings and filter opening as this may cause bacterial contamination of the cartridge.
- Moisten the o-rings with water.
- Open the filter door on the Command Centre.
- Push the new cartridge up into the filter head.
- Turn the cartridge a quarter turn to the right until it comes to a complete stop and locks.



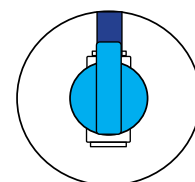
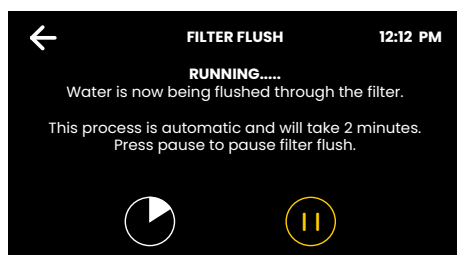
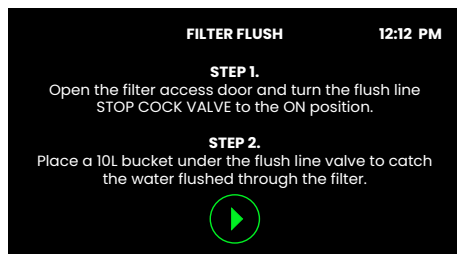
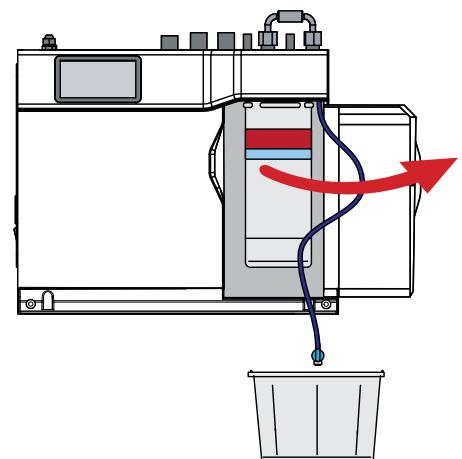
### Set the date, time & drain away options

- Touch the date and time, use "-" or "+" to make adjustments. When ready, touch the arrow to continue.
- Select 'Sink / Container' or 'Font' depending on the model, see below.
- Select 'Font' if the HydroTap is mounted on a font.
- Select 'Sink / Container' if the HydroTap is mounted such that the waste water dispenses into a sink, or container.
- **Note** This selection will determine if water is dispensed automatically or requires operation of the tap during the tank flush process.
- Touch the arrow to continue.

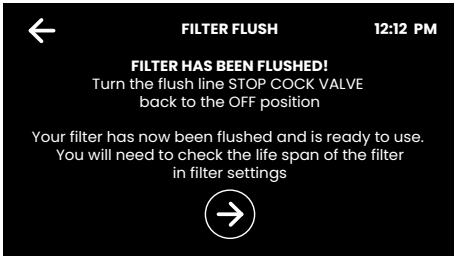


### Filter flush

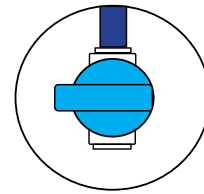
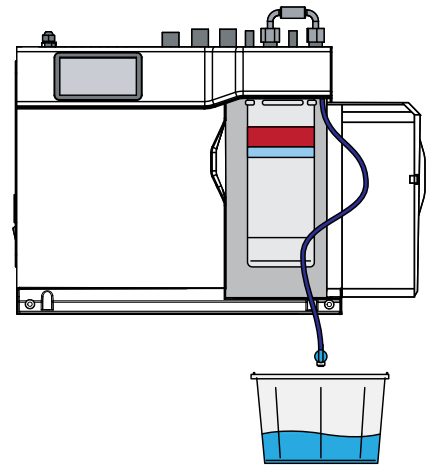
- Follow the steps on-screen to flush the filter.
- Open filter door & uncoil flush line.
- Direct flush line into bucket.
- Place a cloth or towel under the filter cartridge to catch any water that may spill.
- Open the stop cock valve.
- Start filter flush.



Stop cock valve open



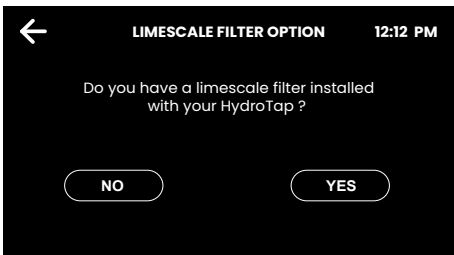
- Once the filter flush is finished, close the stop cock valve.
- Wipe up any spills.
- Close the door to secure the appliance.



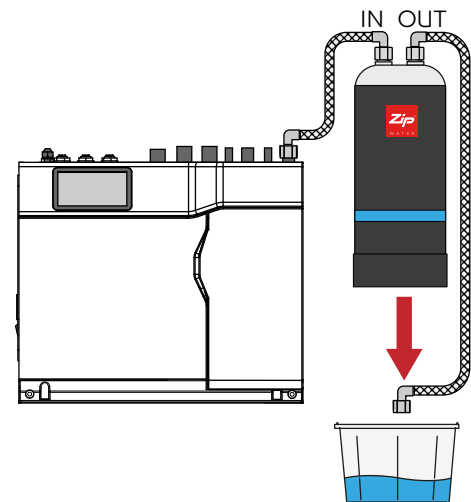
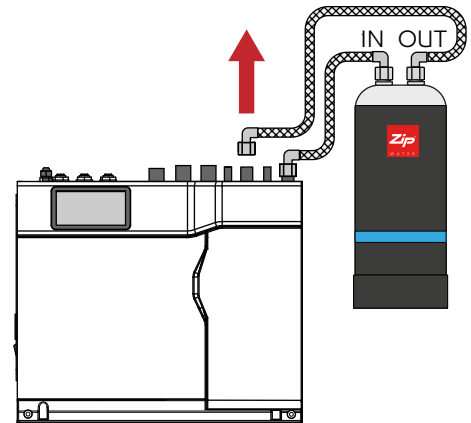
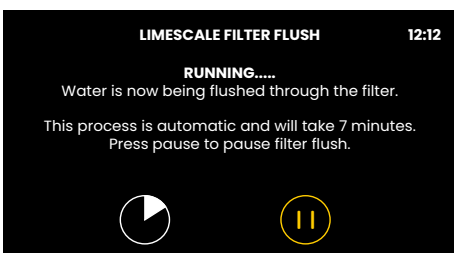
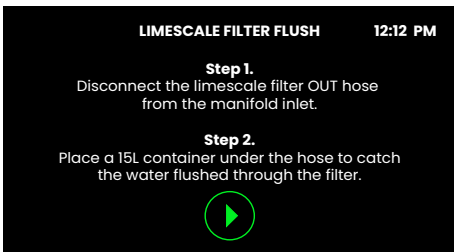
Stop cock valve closed

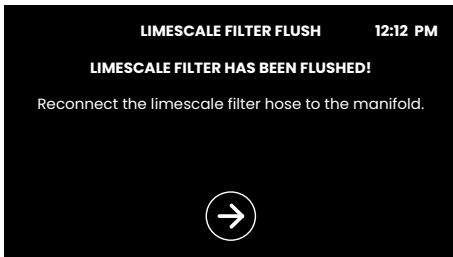
**Limescale filter flush** (If optional limescale filter is installed, UK models only)

- Follow the steps on-screen.
- (Selecting NO advances the screen to the next process).



- Disconnect the limescale filter OUT hose from the Command Centre manifold.
- Direct it into a sink or suitable container.
- Touch green play icon to start filter flush.
- It will take 7 mins. to flush the filter.





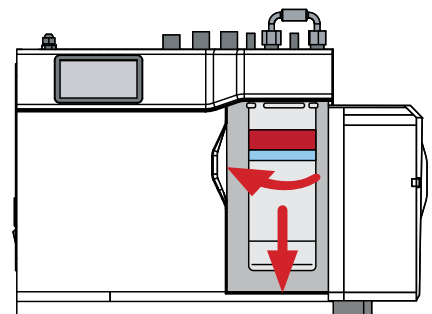
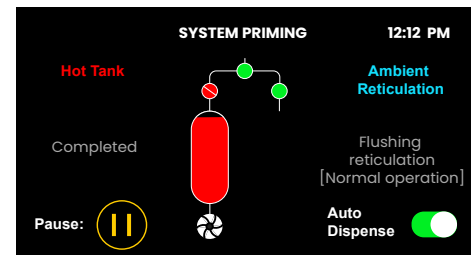
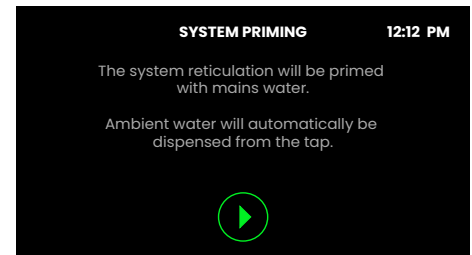
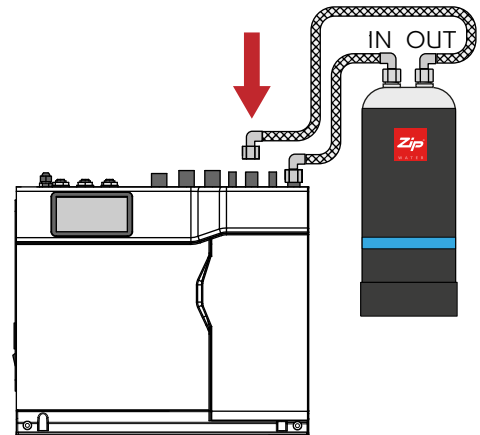
- Once the filter flush is finished, reconnect the limescale filter OUT hose to the Command Centre manifold.
- Touch the arrow to go to the next screen.

### System priming (BA models only)

- Read the on screen information.
- Touch the run arrow to go to the next screen.
- Monitor the on screen information.
- **Note** if 'Font' has been selected on the drain away option and auto dispense is disabled on entry into this screen; the screen prompts the user to dispense using the tap during the process.

### Cleaning preparation (BA models only)

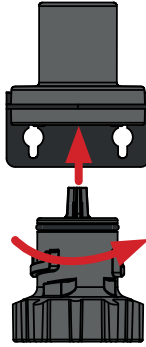
- Read the on screen information.
- Place a cloth under the filter.
- Remove the filter, refit the dust cap, and set aside in a clean environment.



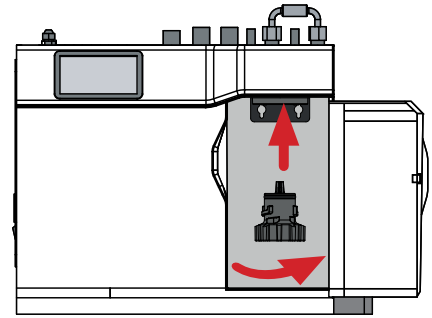
## Section 5 Commissioning

- Check the adapter seal is present and correctly positioned in the adapter.
- Install the HydroTap Clean adapter (1) into the filter head.
- Turn the adapter a quarter turn to the right until it comes to a stop and locks.

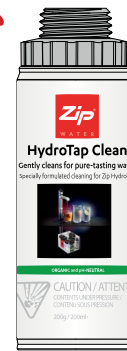
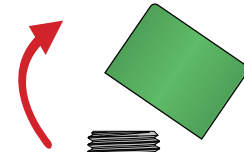
Filter head



HydroTap Clean adapter (1)



- Remove the lid from the HydroTap Clean can (2).



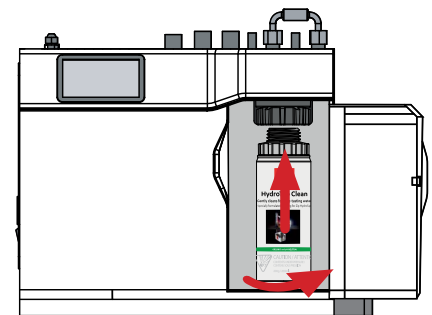
HydroTap Clean can (2)

- Screw the HydroTap Clean can (2) into the adapter (already installed into the filter head).

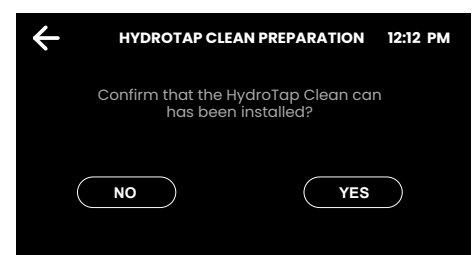
Filter head and HydroTap Clean adapter (1)



HydroTap Clean can (2)

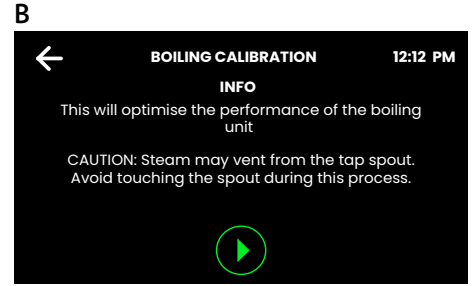
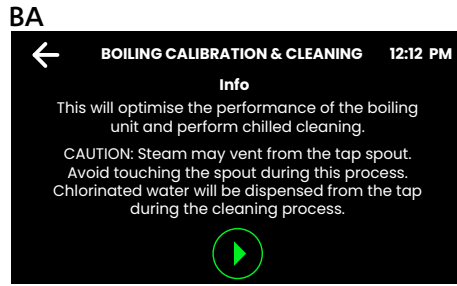


- Confirm installation of the HydroTap Clean can by selecting YES on the screen.

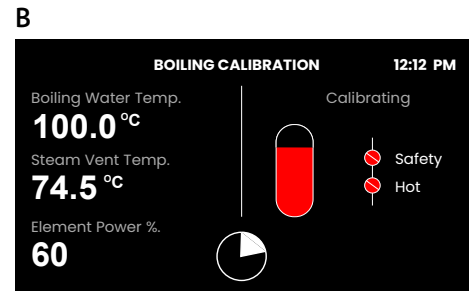
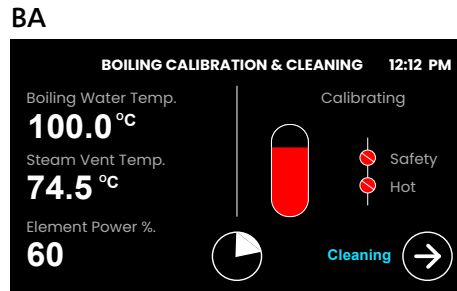


### Boiling calibration and cleaning

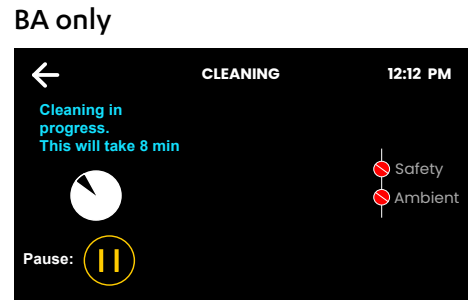
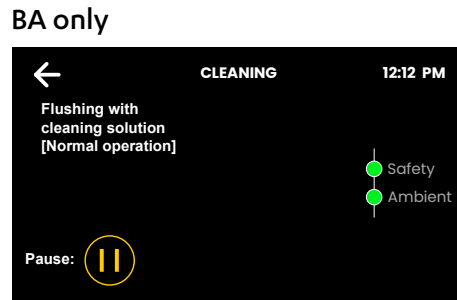
- Read the on screen information.
- BA models offers combined boiling calibration and cleaning.
- B models offer just boiling calibration.
- Touch the green arrow to run.



- Boiling calibration and cleaning process begins.
- Monitor the on screen information.
- Touch 'Cleaning' forward arrow to view screen of cleaning process.
- **Note** If 'Cleaning' text is flashing there is a required action on that screen to perform (empty cold tank).

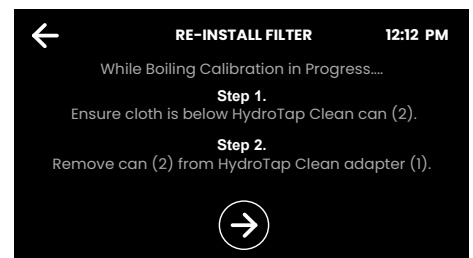


- Cleaning process begins.
- Monitor the on screen information.
- **Note** This is automatic unless 'Font' was selected in the drain away option selection screen. In this case a manual dispense action may be requested.



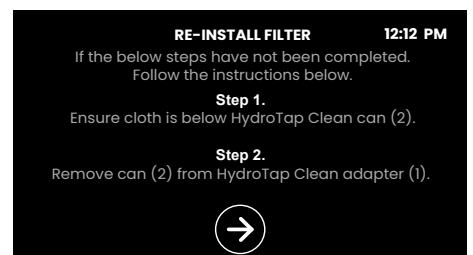
- Read the on screen information and instructions.
- **Note** When the cleaning process completes there is an opportunity to re-install the filter while the boiling calibration is finishing.

#### BA only



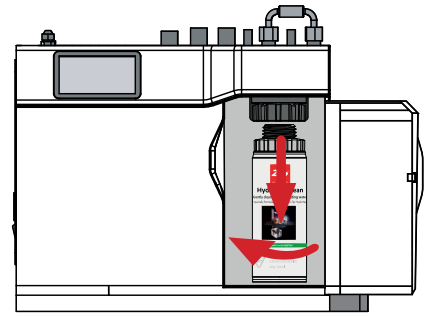
- This screen is shown after completion of the boiling calibration and or cleaning processes.

#### BA only

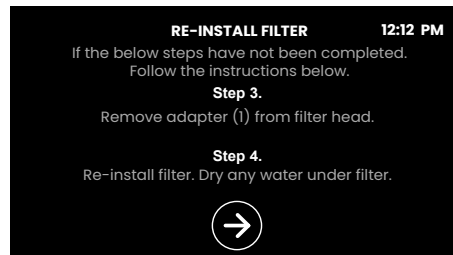


## Section 5 Commissioning

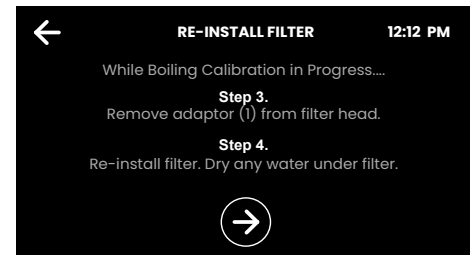
- Unscrew the HydroTap Clean can (2).
- Ensure to hold the adapter in place while unscrewing the can.



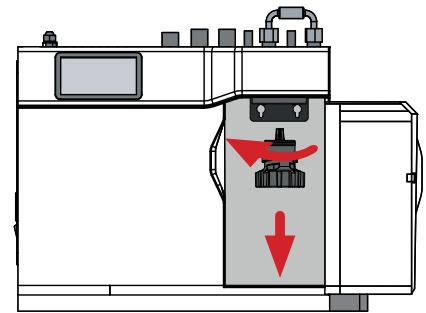
### BA only



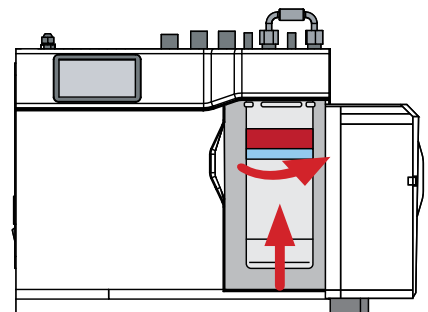
### BA only



- Remove the HydroTap Clean adapter (1) from filter head.

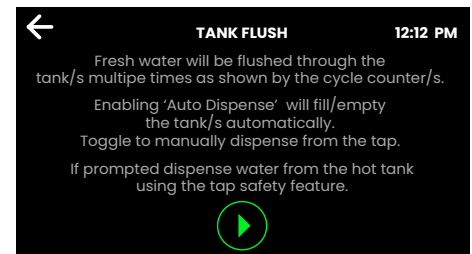


- Remove the dust cap and re-install the filter.
- Touch forward arrow on screen to continue.



### Tank flush

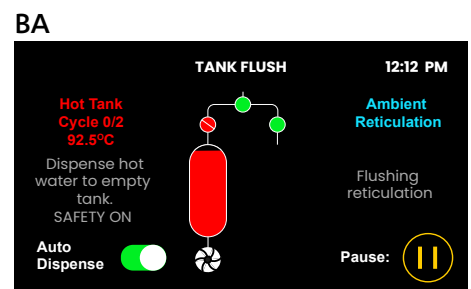
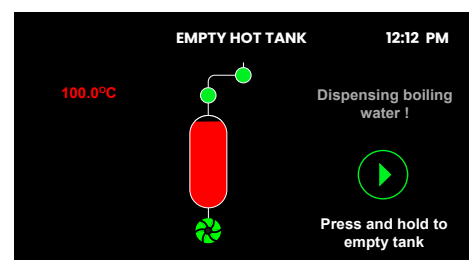
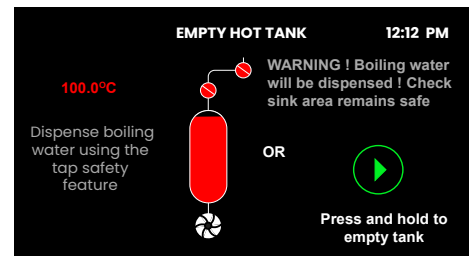
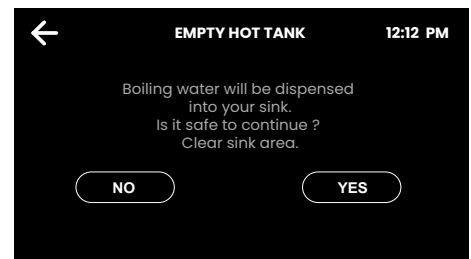
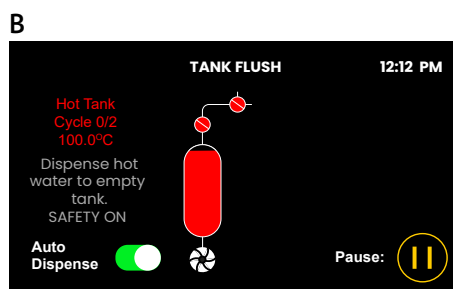
- Read the on screen information and instructions.
- Touch the green arrow to run.



- Empty the hot tank first (boiling models).
- Select NO if it is not safe to continue.
- Select YES to continue safely.

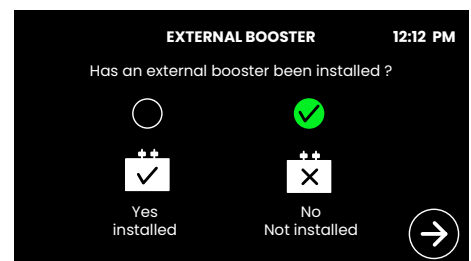


- If NO is selected (indicating that it is not safe to continue) the screen will prompt the user to clear the sink area.
- Once it is safe to continue select YES to empty the hot tank.
- There are two ways to empty the hot tank:
  - Dispense boiling water from the tap using the tap safety feature.
  - OR
  - Touch and **HOLD** the green run arrow icon to dispense directly from the touch screen display.
  - If choosing to dispense directly from the touch screen display, 'dispensing boiling water' text flashes on the screen while holding the button.
  - After the boiling tank is emptied the system progresses to the tank flush screen.
- **Note** For all models, the on screen cycle counter displays the number of remaining cycles in the tank flush process.
- Monitor the on screen info.
- For BA models the hot tank will cycle twice.
- The ambient water will be flushed for 30 seconds.
- For B models the hot tank will cycle twice.



### Select the booster

- Read the on screen instructions.
- Select the appropriate option.

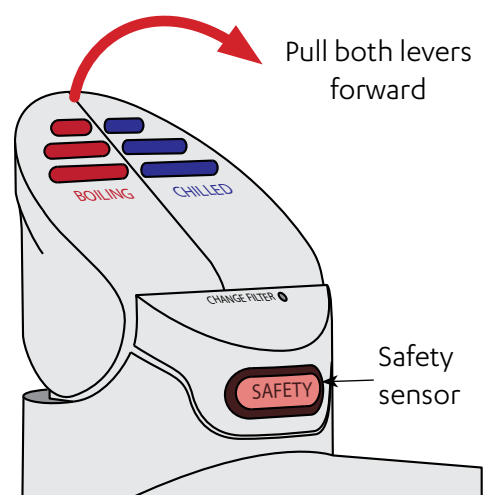


### Safety sensor calibration (Classic boiling models only)

#### Optional, in cases where light recalibration is required.

Light intensity varies from site to site, therefore it is recommended that a re-calibration be performed at the time of the installation. All direct sunlight must be shaded from the HydroTap G5, during the calibration. This can be achieved by closing any nearby curtains, blinds, etc.

- Shield the HydroTap G5 from direct sunlight.
- In normal operating mode. Turn the power off.
- Pull both tap levers to the forward position.
- Turn the power on.
- The safety sensor will calibrate.
- Return the levers to the neutral position.



## Section 6 Service and Trouble shooting

### Service items

- Filters should be replaced at six month intervals for Commercial HydroTaps, and 12 month intervals for Residential HydroTaps.
- CO<sub>2</sub> regulator washers should be replaced annually.

### Trouble shooting table

Fault code	Fault name	Fault trigger
000	Power Board Fault	Internal communication fault
001	Interface Fault	Internal communication fault
004	Water Leak, Isolate Mains	Water detected in the unit due to tank overfill or internal / external leakage.
005	Compressor OverRun	Compressor has been running continuously for an extended time period
006	Water Supply Failure	Water not detected by unit
007	Hot Sensor Open	Internal sensor fault
008	Hot Sensor Closed	Internal sensor fault
009	Cold Sensor Open	Internal sensor fault
010	Cold Sensor Closed	Internal sensor fault
011	Flood Sensor Open	Internal sensor fault
012	Condenser Sensor Closed	Internal sensor fault
013	Condenser Sensor Open	Internal sensor fault
014	Heater Fuse/Driver Fault	Internal component fault
015	Heater Driver Fault	Internal component fault
016	Compr Driver Fault	Internal component fault
017	Hot Sensor Degraded	Internal sensor fault
018	Condenser Overtemp	Temperature of condenser has exceeded its limit
019	A DC Pump is faulty	Internal component fault
020	Steam too cool	Boiling calibration error
021	Steam Sensor Open	Internal sensor fault
022	Steam Sensor Closed	Internal sensor fault
023	Over Steamed	Excess steam detected
024	Hot Tank Overfilled	Hot tank has over filled
025	Comp Fuse/Driver Fault	Internal component fault
027	Boil dry protection	Heating protection device has activated
030	Hot Tank Time Out	Hot tank is taking too long to fill during the tank flush step
031	Cold Tank Time Out	Cold tank is taking too long to fill during the tank flush step
053	UV Not Present	UV disinfector not plugged in
054	UV Over Temp	UV disinfector is overheating
055	UV Under Current	No power detected from UV disinfector
056	UV Over Current	UV disinfector drawing too much current
057	UV Comms Error	Internal communication fault

## Section 7 Operation and Maintenance

Please refer to the User Guide for all operational and maintenance features of the HydroTap. The User Guide is located in the HydroTap Command Centre filter door.

Zip offers a fully-inclusive HydroCare Service Plan to take care of all routine maintenance, including filter replacements, sanitisation, electrical safety inspections as well as general maintenance of your HydroTap. For more information, visit our websites:

(Australia) [www.zipwater.com/hydrocare](http://www.zipwater.com/hydrocare)

(UK) [specify.zipwater.co.uk](http://specify.zipwater.co.uk)

The Zip filter should be replaced as recommended on the filter label, or earlier if you notice a persistent reduction in water flow from the tap or an increase in chlorine, taste or odour in the water. Not changing the filter cartridges when required may affect the water quality.

For safe operation after periods of non-use longer than 48hours, flush the HydroTap for at least 60 seconds.

### Cleaning



- Wipe surfaces with a damp cloth or antibacterial alcohol wipes, then wipe dry with a clean, dry microfibre cloth or paper towel.
- Food-grade disinfection wipes may be used to clean around and within the tap spout.



#### IMPORTANT

- Do not use strong, corrosive, or abrasive cleaning materials.
- Do not use air-drying disinfectant sprays.
- Failure to remove the cleaning liquid may damage the finish of the tap.

### Touch-Free Wave Tap

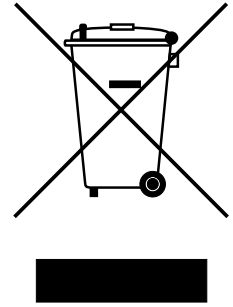
- Do not use abrasives to clean the sensor lenses at the sides, top and rear of the tap.
- This could cause permanent malfunction and void warranty.

## Section 8 End of life disposal

### Waste electrical and electronic equipment

The symbol above means that according to United Kingdom and European Union member countries laws and regulations, your product and /or its battery shall be disposed of separately from household waste.

When this product reaches its end of life, take it to a collection point designated by local authorities. The separate collection and recycling of your product and /or its battery at the time of disposal will help conserve natural resources and ensure that it is recycled in a manner that protects human health and the environment.





**Zip Water**  
 67 - 77 Allingham Street,  
 Condell Park, NSW 2200  
 Postal: Locked Bag 80,  
 Bankstown 1885  
 Australia  
 (+612) 9796 3100  
 Free Call (Aust): 1800 947 827  
[www.zipwater.com](http://www.zipwater.com)

**Zip Water UK**  
 Trafalgar House,  
 Rash's Green, Dereham,  
 Norfolk, NR19 1JG  
 0345 6 005 005  
[sales@zipindustries.co.uk](mailto:sales@zipindustries.co.uk)  
[www.zipwater.co.uk](http://www.zipwater.co.uk)

As Zip policy is one of continuous product improvement, changes to specifications may be made without prior notice. Images in this booklet have been modified and may not be true representations of the finished goods.

The terms "Zip" and "HydroTap" are registered trade marks of Zip Heaters (Aust) Pty Ltd.